

Datasheet

Main Features

- Quad ADC with 10-bit Resolution Using e2v Proprietary Analog Input Cross-point Switch
 - 1.25 Gsps Sampling Rate in Four-channel Mode
 - 2.5 Gsps Sampling Rate in Two-channel Mode
 - 5 Gsps Sampling Rate in One-channel Mode
 - Built-in four-by-four Cross Point Switch
- Single 2.5 GHz Differential Symmetrical Input Clock
- 500 mVpp Analog Input (Differential AC or DC Coupled)
- ADC Master Reset (LVDS)
- Double Data Rate Output Protocol
- LVDS Output Format
- Digital Interface (SPI) with Reset Signal:
 - Channel Mode Selection
 - Selectable Bandwidth (Two Available Settings)
 - Gain Control
 - Offset Control
 - Phase Control
 - Standby Mode (Full or Partial)
 - Binary or Gray Coding Selection
 - Test Modes (Ramp, Flashing)
- Power Supplies: 3.3V and 1.8V (Outputs)
- Reduced Clock Induced Transients on Power Supply Pins due to BiCMOS Silicon Technology
- Power Dissipation: 1.4W per Channel
- EBGA380 Package (RoHS, 1.27 mm Pitch)



Performance

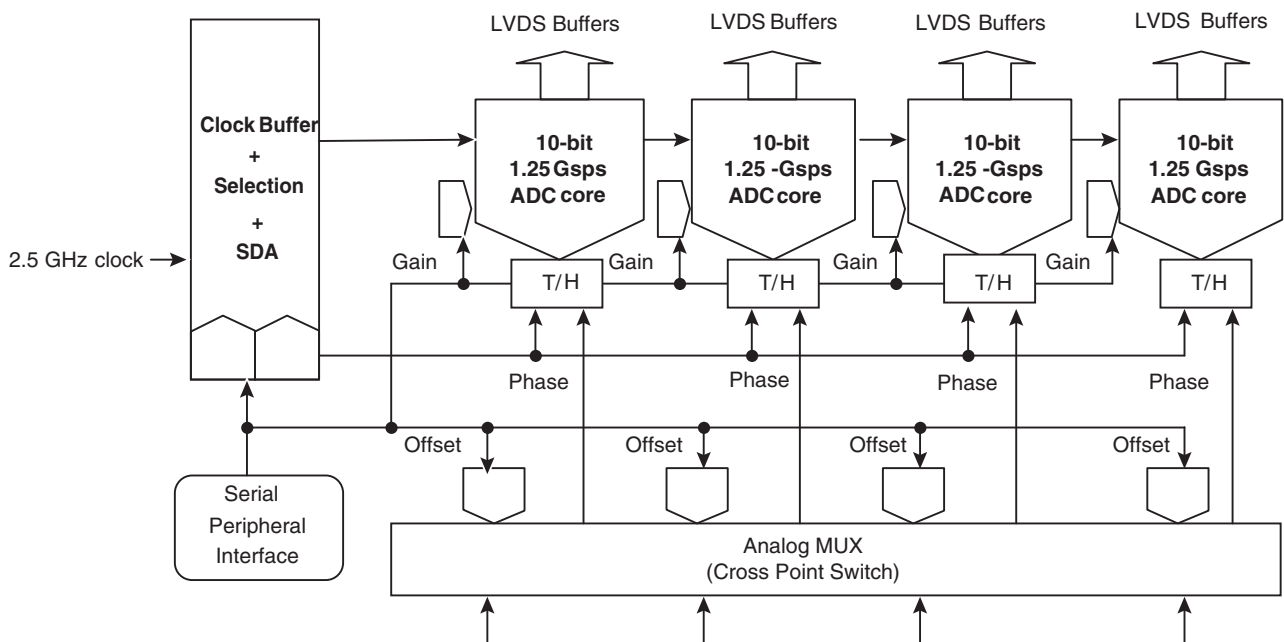
- Selectable Full Power Input Bandwidth (–3 dB) up to 3.2 GHz (4-2-1 channel mode)
- Band Flatness: 0.5 dB from DC to 30% of Full Power Input Bandwidth
- Channel-to-Channel Isolation: > 60 dB
- Four-channel Mode (Fsampling = 1.25 Gsps, –1 dBFS)
 - Fin= 100 MHz (Bandwidth 1 GHz): ENOB = 8.6 bit, SFDR = 65 dBc, SNR = 53 dB, DNL = ±0.5 LSB, INL = ±0.9 LSB
 - Fin= 620 MHz (Full Bandwidth): ENOB = 8 bit, SFDR = 63 dBc, SNR = 48 dB
 - Fin= 1.2 GHz (Full Bandwidth): ENOB = 7.7 bit, SFDR = 56 dBc, SNR = 48 dB
- Two-channel or one-channel mode (Fsampling = 2.5 or 5 Gsps, –1 dBFS)
 - Fin= 620 MHz (Full Bandwidth): ENOB = 7.9 bit, SFDR = 59 dBc, SNR = 49 dB
 - Fin= 1.2 GHz (Full Bandwidth): ENOB = 7.6 bit, SFDR = 56 dBc, SNR = 47.5 dB
- BER: 10⁻¹⁶ at Full Speed
- Latency: Four-channel: 7 Clock Cycles

Applications

- High-Speed Data Acquisition
- Direct RF Down Conversion
- Ultra Wideband Satellite Digital Receiver
- 16 Gbps point-to-point Microwave Receivers
- High Energy Physics
- Automatic Test Equipment
- High-speed Test Instrumentation
- LiDAR (Light Detection and Ranging)

1. Block Diagram

Figure 1-1. Simplified Block Diagram



2. Description

The Quad ADC is made up of four 10-bit ADC cores which can be considered independently (four-channel mode) or grouped by 2 x 2 cores (two-channel mode with the ADCs interleaved two by two) or one-channel mode (where all four ADCs are all interleaved together).

All four ADCs are clocked by the same external input clock signal and controlled via an industry standard SPI (Serial Peripheral Interface). An analog multiplexer (cross point switch) is used to select the analog inputs depending on the mode the Quad ADC is used in.

The *clock circuit* is common to all four ADCs. This block receives an external 2.5 GHz clock (maximum frequency) and preferably a low jitter sinewave signal. In this block, the external clock signal is then divided by two in order to generate the internal sampling clocks:

- in four-channel mode, the same 1.25 GHz clock is directed to all four ADC cores and T/H
- in two-channel mode, the in-phase 1.25 GHz clock is sent to ADC A or C and the inverted 1.25 GHz clock is sent to ADC B or D, while the analog input is sent to both ADCs, resulting in an interleaved mode with an equivalent sampling frequency of 2.5 Gsps
- in one-channel mode, the in-phase 1.25 GHz clock is sent to ADC A while the inverted 1.25 GHz clock is sent to ADC B, the in-phase 1.25 GHz clock is delayed by 90 degree phase to generate the clock for ADC C and the inverted 1.25 GHz clock is delayed by 90 degree phase to generate the clock for ADC D, resulting in an interleaved mode with an equivalent sampling frequency of 5 Gsps.

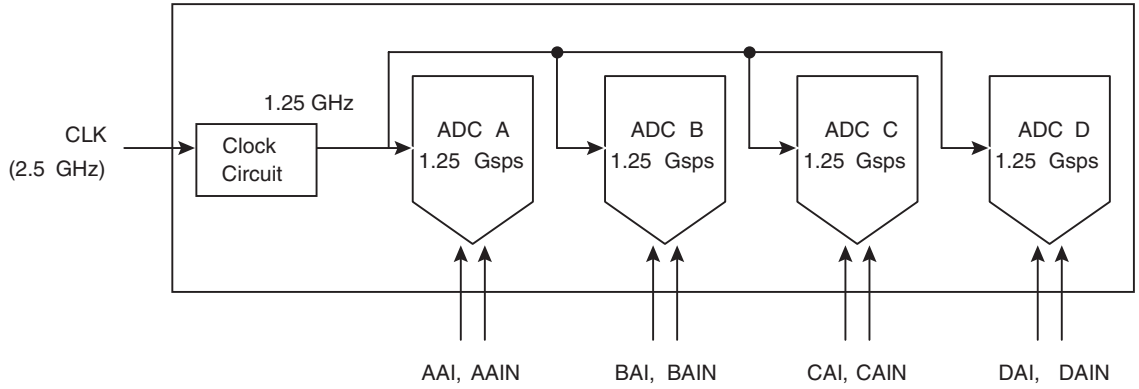
Note: This document should be used in conjunction with the other documentation relating to this product, for example; Application notes, etc.

Several adjustments for the sampling delay and the phase are included in this clock circuit to ensure a proper phase relation between the different clocks generated internally from the 2.5 GHz clock.

The *cross point switch* (analog MUX) is common to all ADCs. It allows to select which analog input has been chosen by the user:

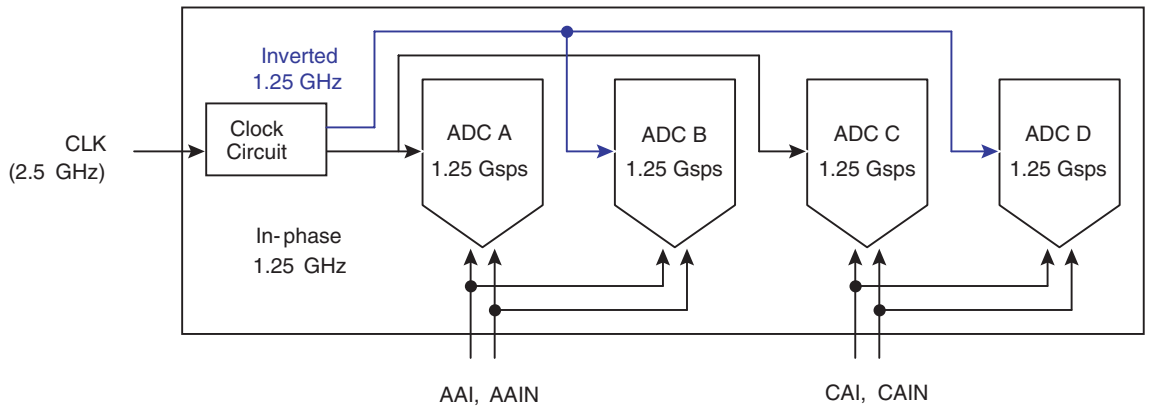
- in four-channel mode, each analog input is sent to the corresponding ADC (AAI to ADC A, BAI to ADC B, CAI to ADC C and DAI to ADC D)
- in two-channel mode, one can consider that there are two independent ADCs composed of ADC A and B for the first one and of ADC C and D for the second one; the two analog inputs can be applied on AAI or on BAI for the first ADC (in which case, the signal is redirected internally to the second ADC of the pair; that is B or A respectively) and on CAI or DAI (in which case, the signal is redirected internally to the second ADC of the pair; that is D or C respectively)
- in one-channel mode, one analog input is chosen among AAI, BAI, CAI and DAI and then sent to all four ADCs

Figure 2-1. Four-channel Mode Configuration



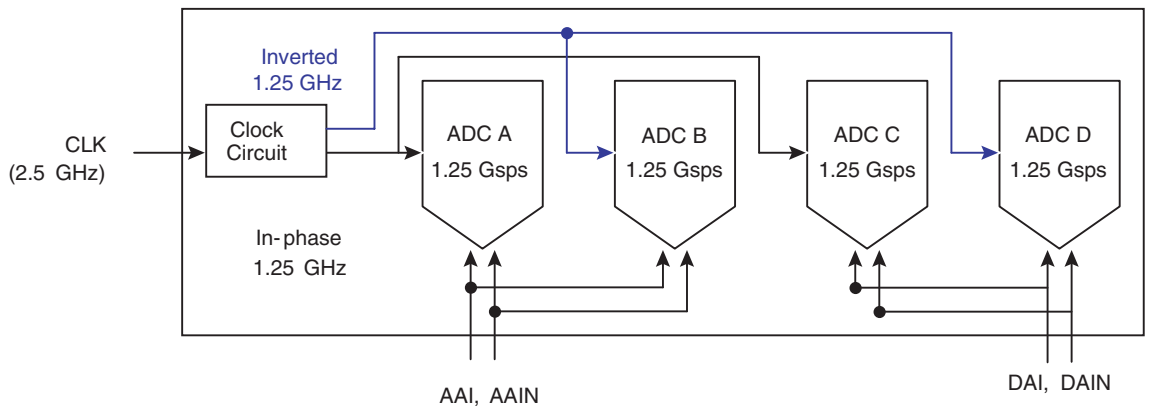
Note: Refer to [3-1 "ADC Timing in Four-Channel Mode"](#) on page 16.

Figure 2-2. Two-channel Mode Configuration (Analog Input A and Analog Input C)



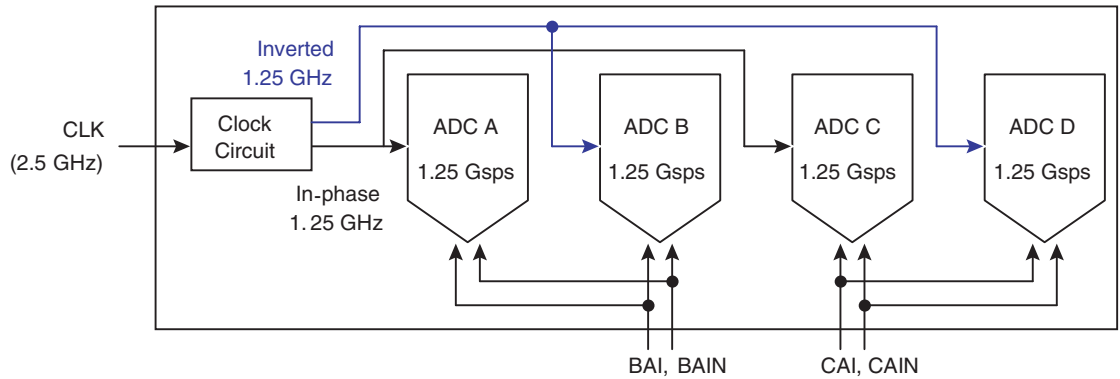
Refer to [3-2 "ADC Timing in Two-channel Mode"](#) on page 17.

Figure 2-3. Two-channel Mode Configuration (Analog Input A and Analog Input D)



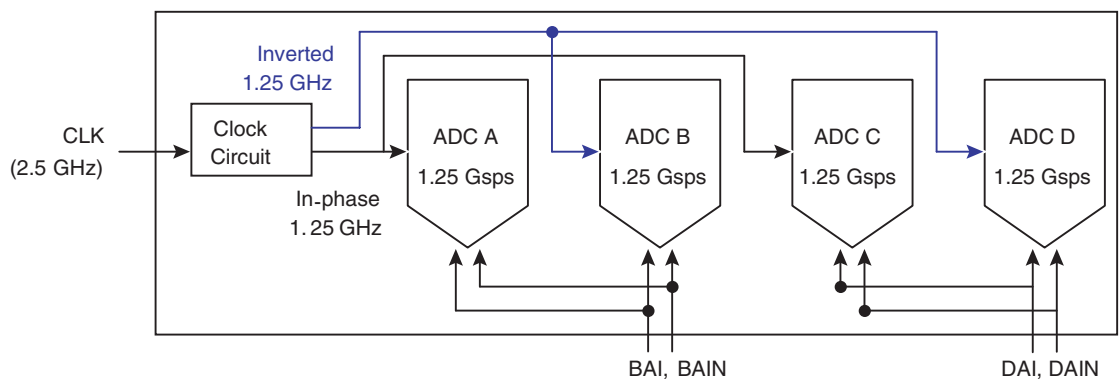
Please refer to [3-2 "ADC Timing in Two-channel Mode"](#) on page 17.

Figure 2-4. Two-channel Mode Configuration (Analog Input B and Analog Input C)



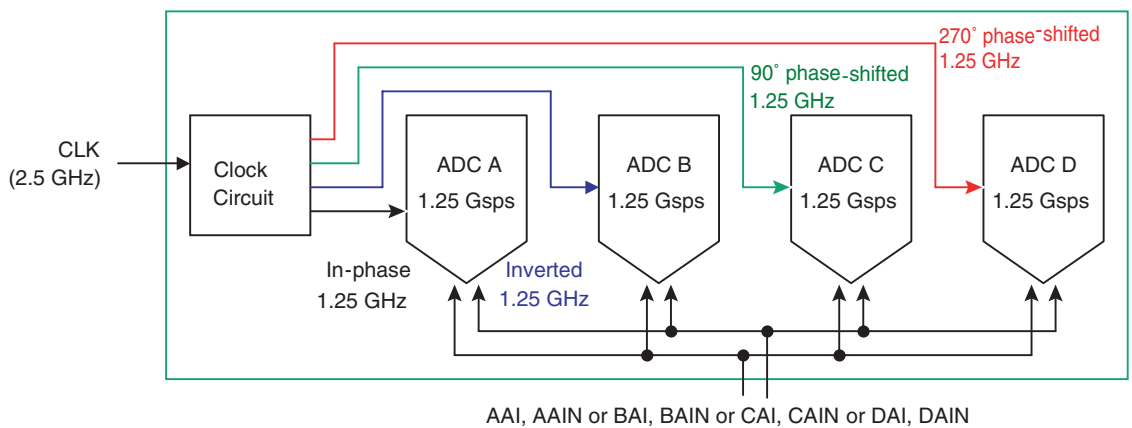
Please refer to [3-2 "ADC Timing in Two-channel Mode"](#) on page 17.

Figure 2-5. Two-channel Mode Configuration (Analog Input B and Analog Input D)



Please refer to [3-2 "ADC Timing in Two-channel Mode"](#) on page 17.

Figure 2-6. One-channel Mode Configuration



- Notes:
1. Please refer to [3-3 "ADC Timing in One-channel Mode" on page 18](#).
 2. For simplification purpose of the timer the temporal order of ports regarding sampling is A C B D, therefore samples order at output port is as follows:
A: $N, N + 4, N + 8, N + 12...$
C: $N + 1, N + 5, N + 9...$
B: $N + 2, N + 6, N + 10...$
D: $N + 3, N + 7, N + 11...$

The *T/H* (Track and Hold) is located after the *cross point switch* and before the ADC cores. This block is used to track the data when the internal sampling clock is low and to hold the data when the internal sampling clock is high. This stage has a gain of 2.

The *ADC cores* are all the same for the four ADCs. They include a quantifier block as well as a fast logic block composed of regenerating latches and the binary/Gray decoding block.

The *SPI block* provides the digital interface for the digital controls of the ADCs. All the functions of the ADC are contained in the SPI registers and controlled via this SPI (channel selection, standby mode, binary or Gray coding, offset gain and phase adjust).

The *output buffers* are LVDS compatible. They should be terminated using a 100 Ω external termination resistor.

The ADC SYNC buffer is also LVDS compatible. This signal is used for internal synchronization. Its behavior is selectable via SPI (RM and SYNC registers).

A *diode* for the die junction temperature monitoring is implemented using a diode-mounted transistor but not connected to the die: both cathode and anode are accessible externally.

Eight *DACs for the gain and the offset controls* are included in the design and are addressed through the SPI:

- Offset DACs are used close to the cross point switch
- Gain DACs are used on the biasing of the reference ladders of each ADC core

These DACs have a resolution of 10-bit and will allow the control via the SPI of the offset and gain of the ADCs:

- Gain adjustment on 1024 steps, $\pm 10\%$ range
- Offset adjustment on 1024 steps, ± 40 LSB range

Four DACs for fine phase control are included in the design and are addressed through the SPI, they have an 10-bit resolution, and a tuning range of ± 15 ps (1 step is about 30 fs).

3. Specifications

3.1 Absolute Maximum Ratings

Table 3-1. Absolute Maximum Ratings

Parameter	Symbol	Value	Unit
Positive supply voltage (analog core + SPI pads)	V_{CC}	4	V
Positive Digital supply voltage	V_{CCD}	2.5	V
Positive Digital supply voltage	V_{CCO}	2.5	V
Analog input voltages	V_{IN} or V_{INN}	$G_{ND} - 0.3$ (min) $V_{CC} + 0.3$ (max)	V
Maximum difference between V_{IN} and V_{INN}	$V_{IN} - V_{INN}$	4	V
Clock input voltage	V_{CLK} or V_{CLKN}	$G_{ND} - 0.3$ (min) $V_{CC} + 0.3$ (max)	V
Maximum difference between V_{CLK} and V_{CLKN}	$V_{CLK} - V_{CLKN}$	4	Vpp
Junction temperature	T_J	125	°C
Storage temperature	Tstg	-55 to 150	°C

- Notes:
1. Absolute maximum ratings are limiting values (referenced to GND = 0V), to be applied individually, while other parameters are within specified operating conditions. Long exposure to maximum rating may affect device reliability.
 2. All integrated circuits have to be handled with appropriate care to avoid damages due to ESD. Damage caused by inappropriate handling or storage could range from performance degradation to complete failure.

3.2 Recommended Conditions of Use

Table 3-2. Recommended Conditions of Use

Parameter	Symbol	Comments	Recommended Value	Unit
Positive supply voltage	V_{CC}	Analog core and SPI pads	3.3	V
Positive digital supply voltage	V_{CCD}	Digital parts	1.8	V
Positive output supply voltage	V_{CCO}	Output buffers	1.8	V
Power Sequencing		No power setup sequencing required		
Differential analog input voltage (full scale)	V_{IN}, V_{INN} V_{IN}, V_{INN}		± 250 500	mV mVpp
Digital CMOS input	V_D	V_{IL} V_{IH}	0 V_{CC}	V
Clock input power level	P_{CLK}, P_{CLKN}		0	dBm
Clock frequency	F_C	Minimum sampling frequency 600 MSps	$1.2 \leq F_C \leq 2.5$	GHz
Operating temperature range	T_J, T_C	Commercial C grade Industrial V grade	$0^\circ\text{C} < T_C; T_J < 90^\circ\text{C}$ $-40^\circ\text{C} < T_C; T_J < 110^\circ\text{C}$	$^\circ\text{C}$

3.3 Electrical Characteristics for supplies, Inputs and Outputs

Unless otherwise specified:

- $V_{CC} = 3.3\text{V}, V_{CCD} = 1.8\text{V}, V_{CCO} = 1.8\text{V}$
- -1 dBFS Analog input (Full Scale Input: $V_{IN} - V_{INN} = 500$ mVpp)
- Clock input differentially driven; analog input differentially driven
- Default mode: four-channel mode ON, binary output data format, Standby mode OFF, full bandwidth

Table 3-3. Electrical Characteristics for Supplies, Inputs and Outputs

Parameter	Test Level	Symbol	Mini.	Typ.	Max.	Unit
Resolution			10			bit
Power Requirements						
Power Supply voltage						
Analog (and SPI pads)	1.4	V_{CC}	3.15	3.3	3.45	V
Digital		V_{CCD}	1.7	1.8	1.9	V
Output		V_{CCO}	1.7	1.8	1.9	V
Power Supply current						
Analog (and SPI pads)	1.4	I_{CC}		1.6	1.8	A
Digital		I_{CCD}		2	3	mA
Output		I_{CCO}		180	220	mA

Table 3-3. Electrical Characteristics for Supplies, Inputs and Outputs (Continued)

Parameter	Test Level	Symbol	Mini.	Typ.	Max.	Unit
Power supply current (partial standby mode AB) Analog (and SPI pads) Digital Output	1.4	I_{CC} I_{CCD} I_{CCO}		890 1.80 100	980 3 122	mA mA mA
Power supply current (partial standby mode CD) Analog (and SPI pads) Digital Output	1.4	I_{CC} I_{CCD} I_{CCO}		890 2 100	980 3 122	mA mA mA
Power supply current (full standby mode) Analog (and SPI pads) Digital Output	1.4	I_{CC} I_{CCD} I_{CCO}		180 2 22	220 3 25	mA mA mA
Power dissipation Default mode Partial Standby mode (AB) Partial standby mode (CD) Full Standby mode	1.4	P_D		5.65 3.15 3.5 0.65	6.35 3.45 3.45 0.8	W W W W
Data Inputs						
Full-scale Input Voltage range (differential mode)	1.4	V_{IN} V_{INN}		250 250		mVpp mVpp
Input common mode	1.4	V_{ICM}	1.5	1.55	1.65	V
Analog input capacitance (die)	4	C_{IN}		0.5		pF
Input Resistance (differential) ⁽¹⁾⁽²⁾⁽³⁾	1.4	R_{IN}	95	100	120	Ω
Clock Inputs						
Source Type	4	Differential Sinewave				
Clock input common mode voltage	1.4	V_{CM}	1.65	1.75	1.85	V
Clock input power level (low phase noise sinewave input) 100 Ω differential, AC coupled signal	4	P_{CLK}	-9	0	2	dBm
Clock input swing (differential voltage) – on each clock input	1.4	V_{CLK} , V_{CLKN}	150 150	450 450	565 565	mVpp mVpp
Clock input capacitance (die + package)	4	C_{CLK}		0.5		pF
Clock input resistance (differential)	1.4	R_{CLK}	90	100	110	Ω
Clock jitter (max. allowed on clock source) For 1 GHz sinewave analog input	4	Jitter			150	fs
Clock duty cycle requirement in one-channel mode for performance	4	Duty Cycle	48	50	52	%
Clock duty cycle requirement in two-channel mode for performance	4	Duty Cycle	40	50	60	%

EV10AQ190A

Table 3-3. Electrical Characteristics for Supplies, Inputs and Outputs (Continued)

Parameter	Test Level	Symbol	Mini.	Typ.	Max.	Unit
Clock duty cycle requirement in four-channel mode for performance	4	Duty Cycle	40	50	60	%
SYNC, SYNCN Signal						
Logic Compatibility	1.4	LVDS				
Input voltages to be applied	1.4	V_{IL}	1.4	330	1.1	V
Logic Low		V_{IH}				V
Logic High		$V_{IH} - V_{IL}$				mV
Swing		V_{ICM}				V
Common Mode			1.25			
SYNC, SYNCN input capacitance	4	CSYNC		0.5		pF
SYNC, SYNCN input resistance	4	RSYNC		100		Ω
SPI						
CMOS low level input voltage	1.4	V_{ilc}	0		$0.3 \times V_{CC}$	V
CMOS high level input voltage	1.4	V_{ihc}	$0.7 \times V_{CC}$		V_{CC}	V
CMOS low level of Schmitt trigger	1.4	$V_{tminusc}$			$0.35 \times V_{CC}$	V
CMOS high level of Schmitt trigger	1.4	V_{tplusc}	$0.65 \times V_{CC}$			V
CMOS Schmitt trigger hysteresis	1.4	V_{hystc}	$0.15 \times V_{CC}$			V
CMOS low level output voltage (I _{olc} = 2 or 3 mA)	1.4	V_{olc}			0.4	V
CMOS high-level output voltage (I _{ohc} = 2 or 3 mA)	1.4	V_{ohc}	$0.8 \times V_{CC}$			V
CMOS low-level input current (V _{inc} = 0 V)	1.4	I _{ilc}			10	nA
CMOS high-level input current (V _{inc} = V _{CC})	1.4	I _{ihc}			165	nA
Digital Data And Data Ready Outputs						
Logic Compatibility	1, 4		LVDS			
Output levels	1.4					
50 Ω transmission lines, 100 Ω (2 x 50 Ω) differentially terminated						
-Swing (each single-ended output)		$V_{OH} - V_{OL}$	250		450	mV
-Common mode	V_{OCM}	1.125		1.45	V	

- Notes:
1. Input impedance can be adjusted via register at address 0x13.
 2. Differential output buffers impedance = 100 Ω differential.
 3. After calibration, the value is centered on the typical value $\pm 5\%$.

3.4 Converter Characteristics

Unless otherwise specified:

- $V_{CC} = 3.3V$, $V_{CCD} = 1.8V$, $V_{CCO} = 1.8V$
- -1 dBFS Analog input (full-scale input: $V_{IN} - V_{INN} = 500$ mVpp)
- Clock input differentially driven; analog input differentially driven
- Test conditions: four-channel mode ON, binary output data format, standby mode OFF, full bandwidth (unless specified)

Table 3-4. Low Frequency Characteristics

Parameter	Test Level	Symbol	Min.	Typ.	Max.	Unit
DC Accuracy						
Gain central value ⁽¹⁾	1. 4			1		
Gain error drift	4			325		ppm/° C
Input offset voltage ⁽²⁾	1. 4			0		LSB
Four-Channel Mode (F_{sampling} = 1.25 Gsps, F_{in} = 100 MHz, -1 dBFS), for Each Channel						
DNLrms	1. 4	DNLrms		0.1	0.19	LSB
Differential nonlinearity	1. 4	DNL+		0.5	0.9	LSB
Differential nonlinearity	1. 4	DNL-	-0.9	-0.5		LSB
INLrms	1. 4	INLrms		0.3	0.9	LSB
Integral nonlinearity	1. 4	INL+		0.9	2.5	LSB
Integral nonlinearity	1. 4	INL-	-2.5	-0.9		LSB
Two-Channel Mode (F_{sampling} = 2.5 Gsps, F_{in} = 100 MHz, -1 dBFS), for Each Channel						
DNLrms	1. 4	DNLrms		0.1	0.19	LSB
Differential nonlinearity	1. 4	DNL+		0.5	0.9	LSB
Differential nonlinearity	1. 4	DNL-	-0.9	-0.5		LSB
INLrms	1. 4	INLrms		0.3	0.9	LSB
Integral nonlinearity	1. 4	INL+		0.9	2.5	LSB
Integral nonlinearity	1. 4	INL-	-2.5	-0.9		LSB
One-Channel Mode (F_{sampling} = 5 Gsps, F_{in} = 100 MHz, -1 dBFS)						
DNLrms	1. 4	DNLrms		0.1	0.19	LSB
Differential nonlinearity	1. 4	DNL+		0.5	0.9	LSB
Differential nonlinearity	1. 4	DNL-	-0.9	-0.5		LSB
INLrms	1. 4	INLrms		0.3	0.9	LSB
Integral nonlinearity	1. 4	INL+		0.8	2.5	LSB
Integral nonlinearity	1. 4	INL-	-2.5	-0.8		LSB

- Notes:
1. Gain central value can be set to 1 via the gain adjustment function of the SPI at register 0x22. Gain central value is measured at $F_{in} = 100$ MHz.
 2. Offset can be adjusted to 0 LSB via the offset adjustment function of the SPI at register 0x20.

EV10AQ190A

Table 3-5. Dynamic Characteristics

Parameter	Symbol	Test Level	Min.	Typ.	Max.	Unit	Note
AC Analog Inputs							
Power Input Bandwidth in Full mode (BW = "1" in 0x01 register)	FPBW	4		3.2		GHz	(1)
Power Input Bandwidth in Nominal mode (BW = "0" in 0x01 register, default mode)			1.5		GHz	(2)	
Gain Flatness (± 0.5 dB in full band mode setting BW = 1 in 0x01 register)	GF	4		1.5		GHz	
Input Voltage Standing Wave Ratio up to 3 GHz	VSWR	4			2.13		(2) (3)
Crosstalk (Fin = 620 MHz)		4		60		dB	
Dynamic Performance – Four-channel Mode (Fsampling = 1.25 Gsps, Vin = -1 dBFS) for each channel (after calibration)							
Effective Number of Bits Fs = 1.25 Gsps Fin = 100 MHz Fs = 1.25 Gsps Fin = 620 MHz Fs = 1.25 Gsps Fin = 1200 MHz	ENOB	1.4	8	8.6		Bit	(4)
			7.6	8			
			7.2	7.7			
Signal-to-Noise Ratio Fs = 1.25 Gsps Fin = 100 MHz Fs = 1.25 Gsps Fin = 620 MHz Fs = 1.25 Gsps Fin = 1200 MHz	SNR	1.4	51	53		dB	(4)
			48	49.5			
			46	48			
Total Harmonic Distortion (9 Harmonics) Fs = 1.25 Gsps Fin = 100 MHz Fs = 1.25 Gsps Fin = 620 MHz Fs = 1.25 Gsps Fin = 1200 MHz	ITHDI	1.4	53	61		dB	(4)
			51	60			
			49	54			
Spurious Free Dynamic Range Fs = 1.25 Gsps Fin = 100 MHz Fs = 1.25 Gsps Fin = 620 MHz Fs = 1.25 Gsps Fin = 1200 MHz	ISFDRI	1.4	54	65		dBc	(4)
			53	63			
			50	56			
Two-tone third order Intermodulation Distortion Fs = 1.25 Gsps Fin1 = 490 MHz; Fin2 = 495 MHz [-7dBFS]	IIMD3I	4		62		dBFS	(4)
Dynamic Performance – Two and One-channel Mode (Fsampling = 1.25 and 2.5 Gsps respectively, -1 dBFS) for each channel (after calibration)							
Effective Number of Bits Fs = 2.5 Gsps Fin = 620 MHz Fs = 1.25 Gsps Fin = 1200 MHz	ENOB	1.4	7.5	7.9		Bit	(4)
			7.2	7.6			
Signal to Noise Ratio Fs = 2.5 Gsps Fin = 620 MHz Fs = 1.25 Gsps Fin = 1200 MHz	SNR	1.4	47	49		dB	(4)
			45	47.5			

Table 3-5. Dynamic Characteristics (Continued)

Parameter	Symbol	Test Level	Min.	Typ.	Max.	Unit	Note
Total Harmonic Distortion (9 Harmonics) Fs = 2.5 Gsps Fin = 620 MHz Fs = 1.25 Gsps Fin = 1200 MHz	THDI	1. 4	51 49	58 54		dB	(4)
Spurious Free Dynamic Range Fs = 2.5 Gsps Fin = 620 MHz Fs = 1.25 Gsps Fin = 1200 MHz	SFDR	1. 4	51 50	59 56		dBc	(4)
Two-tone Third Order Intermodulation Distortion Fs = 2.5 Gsps Fin1 = 490 MHz; Fin2 = 495 MHz [-7dBFS]	IMD3	4		62		dBFS	(4)
Dynamic Performance – One-channel Mode (Fsampling = 5 Gsps and Vin = -1 dBFS) (after Calibration)							
Effective Number of Bits Fs = 5 Gsps Fin = 620 MHz Fs = 5 Gsps Fin = 1200 MHz	ENOB	4.1	7.5 7.2	7.9 7.6		Bit	(4)
Signal to Noise Ratio Fs = 5 Gsps Fin = 620 MHz Fs = 5 Gsps Fin = 1200 MHz	SNR	4.1	47 45	49 47.5		dB	(4)
Total Harmonic Distortion (9 Harmonics) Fs = 5 Gsps Fin = 620 MHz Fs = 5 Gsps Fin = 1200 MHz	THDI	4.1	51 49	58 54		dB	(4)
Spurious Free Dynamic Range Fs = 5 Gsps Fin = 620 MHz Fs = 5 Gsps Fin = 1200 MHz	SFDR	4.1	51 50	59 56		dBc	(4)

- Notes:
1. It is recommended to use the ADC in reduced bandwidth mode in order to minimize the noise in the ADC when allowed by the application.
 2. These figures apply in all four-channel, two-channel and one-channel modes (interleaved and non interleaved modes).
 3. Specified from DC up to 2.5 GHz input signal. Input VSWR is measured on a soldered device. It assumes an external $50\Omega \pm 2\Omega$ controlled impedance line, and a 50Ω driving source impedance ($S_{11} < -30$ dB).
 4. All the figures provided at Fin = 100 MHz and at Fin = 620 MHz are obtained using the ADC in nominal band mode. The one provided at Fin = 1.2 GHz is obtained using the ADC in full band mode.
 5. [Section 7.6](#) for a description of the calibration procedure.

3.5 Transient and Switching Characteristics

Table 3-6. Transient and Switching Characteristics

Parameter	Symbol	Test Level	Min	Typ	Max	Unit	Note
Transient Performance							
Bit Error Rate at 1.25 Gbps in Gray mode	BER	4		10 ⁻¹⁶		Error/sample	(1)
ADC settling time ($V_{IN}-V_{INN} = 400$ mVpp) in Full BW mode	TS	4			4	Clock cycles	
Overvoltage recovery time	ORT	4			4	Clock cycles	
ADC step response Rise/fall time (10/90%) In Full BW mode				130		ps	
In Nominal BW mode				225		ps	
Overshoot					2	%	
Ringback					2	%	

Note: 1. Output error amplitude < ± 33 lsb. $F_s = 1.25$ Gbps $T_J = 110$ °C.

Table 3-7. Transient and Switching Characteristics

Parameter	Symbol	Test Level	Min.	Typ.	Max.	Unit	Note
Switching Performance and Characteristics							
Clock frequency	F_{CLK}	4	400		2500	MHz	(1)(2)(7)
Maximum sampling frequency (for each channel)							
Four-channel mode	F_s	4	200		1250	MHz	
Two-channel mode			400		2500	MHz	
One-channel mode			800		5000	MHz	
Minimum clock pulse width (high)	TC1	4			200	ns	
Minimum clock pulse width (low)	TC2	4			200	ns	
Aperture delay	TA	4		100		ps	
ADC Aperture uncertainty	Jitter	4		200		fs rms	
Output rise time for Data (20%-80%)	TR	4		200		ps	(3)
Output fall time for Data (20%-80%)	TF	4		200		ps	(3)
Output rise time for Data Ready (20%-80%)	TR	4		150		ps	(3)
Output fall time for Data Ready (20%-80%)	TF	4		150		ps	(3)
Data output delay	TOD	4		3		ns	(4)
Data ready output delay	TDR	4		3		ns	(4)
	TOD-TDRI	4		60	100	ps	(5)
Output data to data ready propagation delay	TD1	4		420		ps	(5)

Table 3-7. Transient and Switching Characteristics (Continued)

Data ready to output data propagation delay	TD2	4		380		ps	(5)
Output Data pipeline delay							
Four-channel mode							
Port A, B, C, D				7			
Two-channel mode							
Port A, C				8			
Port B, D	TPD	4		7		Clock Cycles	
One-channel mode							
Port A				8			
Port B				7			
Port C				7.5			
Port D				6.5			
Data ready reset delay	TRDR	4		1Tclock + TDR			(8)
Minimum SYNC pulse width	TSYNC		5 x Tclock			ns	
SYNC Forbidden area lower bound	T1	4		285		ps	(6)
SYNC Forbidden area upper bound	T2	4		240		ps	(6)

- Notes:
1. See Definition of Terms.
 2. The clock frequency lower limit is due to the gain.
 3. $50\Omega/\text{CLOAD} = 2\text{pF}$ termination (for each single-ended output). Termination load parasitic capacitance derating value: 50ps/pF (ECL).
 4. TOD and TDR propagation times are defined at package input/outputs. They are given for reference only.
 5. Values for TD1 and TD2 are given for a 2.5 GHz external clock frequency (50% duty cycle). For different sampling rates, apply the following formula: $\text{TD1} = T/2 + (\text{TOD}-\text{TDR})$ and $\text{TD2} = T/2 - (\text{TOD}-\text{TDR})$, where T= clock period. This places the rising edge (True-False) of the differential Data Ready signal in the middle of the Output Data valid window. This gives maximum setup and hold times for external data acquisition. The difference (TD1- TD2) gives an information if DATA READY is centered on the output data. if data ready is in the middle $\text{TD1} = \text{TD2} = T_{\text{data}}/2$.
 6. Tclock external clock period. No transition of SYNC signal is allowed between T1 and T2 (forbidden area). Please refer to [Section 6.2 on page 36](#) and [Figure 6-3 on page 39](#).
 7. This device is recommended for sampling rate beyond 600 Msps (1200 MHz). For application at lower frequency, please contact e2v hotline for specific application recommendation.
 8. Only applicable in RM = 0 mode.
In RM = 1 mode, Data Ready continue during the SYNC, except for a very short period of time (< 2 data cycles) during data ready is reinitialized.

3.6 Explanation of Test Levels

Table 3-8. Explanation of Test Levels

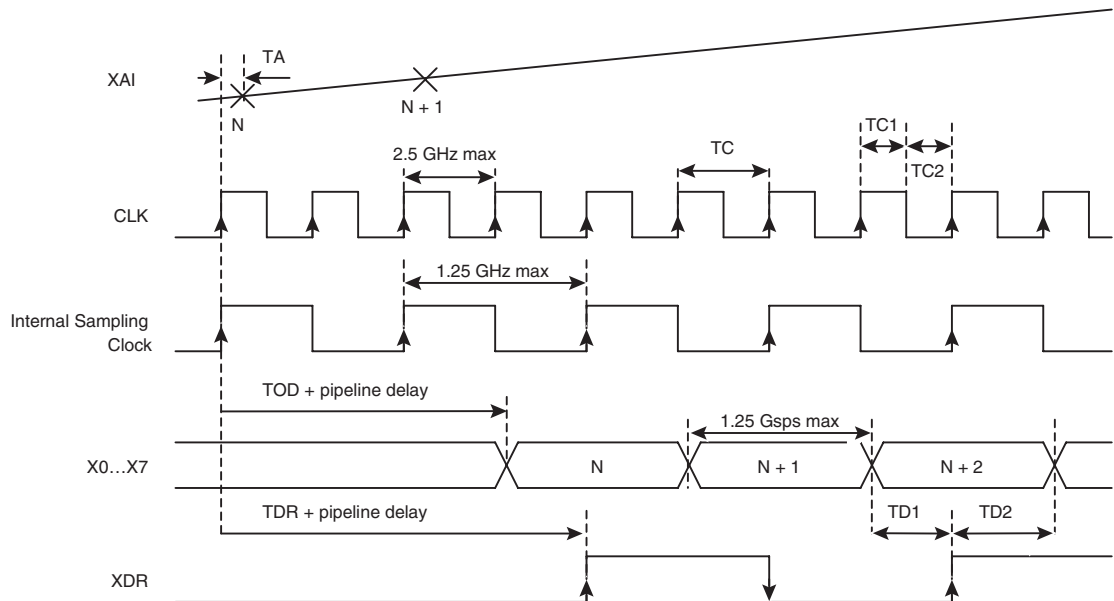
1	100% production tested ⁽¹⁾ at +25° C ⁽²⁾ (for C temperature range ⁽³⁾)
2	100% production tested ⁽¹⁾ at +25° C ⁽²⁾ , and sample tested at specified temperatures (for V Temperature ranges ⁽³⁾)
3	Sample tested only at specified temperatures
4	Parameter is guaranteed by design and characterization testing (thermal steady-state conditions at specified temperature)
5	Parameter is a typical value only guaranteed by design only
6	100% production tested over specified temperature range (for B/Q temperature range ⁽³⁾)

- Notes:
1. Only *minimum* and *maximum* values are guaranteed (typical values are issued from characterization results).
 2. Unless otherwise specified.
 3. If applicable, please refer to [Section 9. "Ordering Information" on page 67.](#)

3.7 Timing Diagrams

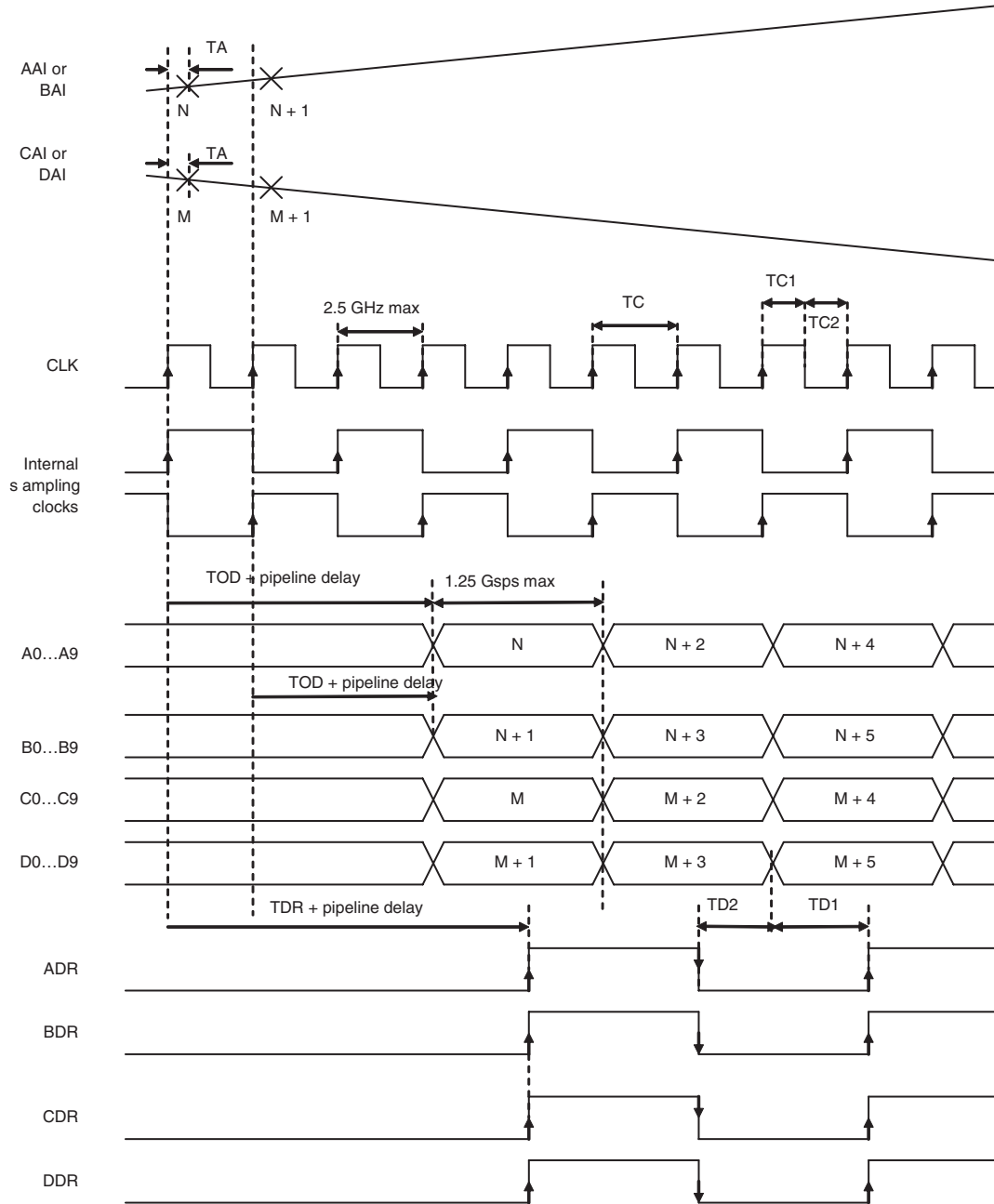
For information on the reset sequence (using SYNC_P, SYNC_N signals, please refer to [Section 6.2 "ADC Synchronization Signal \(SYNC_P, SYNC_N\)" on page 36.](#)

Figure 3-1. ADC Timing in Four-Channel Mode



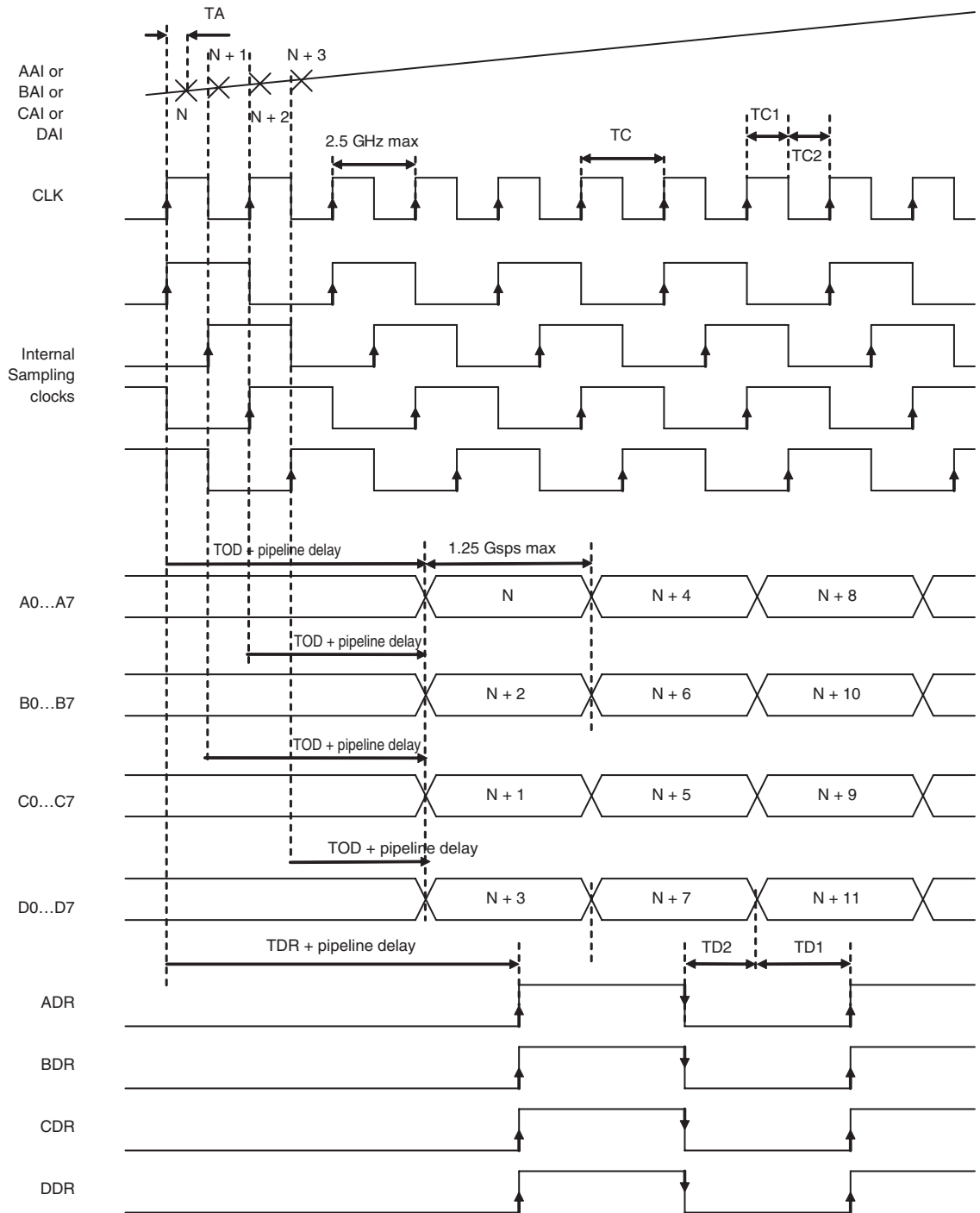
Note: 1. X refers to A, B, C and D.

Figure 3-2. ADC Timing in Two-channel Mode



- Notes: 1. In two-channel mode, the two analog inputs can be applied on:
- (AAI, AAIN) and (CAI, CAIN), in which case, the outputs corresponding to (AAI, AAIN) will be on A0...A9 and B0...B9 and the ones corresponding to (CAI, CAIN) on C0...C9 and D0...D9.
 - or (AAI, AAIN) and (DAI, DAIN), in which case, the outputs corresponding to (AAI, AAIN) will be on A0...A9 and B0...B9 and the ones corresponding to (DAI, DAIN) on C0...C9 and D0...D9
 - or (BAI, BAIN) and (CAI, CAIN), in which case, the outputs corresponding to (BAI, BAIN) will be on A0...A9 and B0...B9 and the ones corresponding to (CAI, CAIN) on C0...C9 and D0...D9.
 - or (BAI, BAIN) and (DAI, DAIN), in which case, the outputs corresponding to (BAI, BAIN) will be on A0...A9 and B0...B9 and the ones corresponding to (DAI, DAIN) on C0...C9 and D0...D9.

Figure 3-3. ADC Timing in One-channel Mode



Note: In one-channel mode, the analog input can be applied on (AAI, AAIN), (BAI, BAIN), (CAI, CAIN) or (DAI, DAIN). The choice is made via the SPI in the control register.

3.8 Digital Output Coding

Table 3-9. ADC Digital Output Coding Table

Differential Analog Input	Voltage Level	Digital Output			
		Binary MSB.....LSB Out-of-range		Gray MSB.....LSB Out-of-range	
> +250.25 mV	>Top end of full scale + ½ LSB	1 1 1 1 1 1 1 1 1 1	1	1 0 0 0 0 0 0 0 0 0	1
+250.25 mV	Top end of full scale + ½ LSB	1 1 1 1 1 1 1 1 1 1	0	1 0 0 0 0 0 0 0 0 0	0
+249.75 mV	Top end of full scale - ½ LSB	1 1 1 1 1 1 1 1 1 0	0	1 0 0 0 0 0 0 0 0 1	0
+124.75 mV	³ / ₄ full scale + ½ LSB	1 1 0 0 0 0 0 0 0 0	0	1 0 1 0 0 0 0 0 0 0	0
+124.25 mV	³ / ₄ full scale - ½ LSB	1 0 1 1 1 1 1 1 1 1	0	1 1 1 0 0 0 0 0 0 0	0
+0.25 mV	Mid scale + ½ LSB	1 0 0 0 0 0 0 0 0 0	0	1 1 0 0 0 0 0 0 0 0	0
-0.25 mV	Mid scale - ½ LSB	0 1 1 1 1 1 1 1 1 1	0	0 1 0 0 0 0 0 0 0 0	0
-124.25 mV	¹ / ₄ full scale + ½ LSB	0 1 0 0 0 0 0 0 0 0	0	0 1 1 0 0 0 0 0 0 0	0
-124.75 mV	¹ / ₄ full scale - ½ LSB	0 0 1 1 1 1 1 1 1 1	0	0 0 1 0 0 0 0 0 0 0	0
-249.75 mV	Bottom end of full scale + ½ LSB	0 0 0 0 0 0 0 0 0 1	0	0 0 0 0 0 0 0 0 0 1	0
-250.25 mV	bottom end of full scale - ½ LSB	0 0 0 0 0 0 0 0 0 0	0	0 0 0 0 0 0 0 0 0 0	0
< -250.25 mV	< bottom end of full scale - ½ LSB	0 0 0 0 0 0 0 0 0 0	1	0 0 0 0 0 0 0 0 0 0	1

3.9 Definition of Terms

Table 3-10. Definition of Terms

Term	Description	
(Fs max)	Maximum sampling frequency	Sampling frequency for which ENOB < 6 bits
(Fs min)	Minimum sampling frequency	Sampling frequency for which the ADC Gain has fallen by 0.5 dB with respect to the gain reference value. Performances are not guaranteed below this frequency.
(BER)	Bit error rate	Probability to exceed a specified error threshold for a sample at maximum specified sampling rate. An error code is a code that differs by more than ± 8 LSB from the correct code.
(FPBW)	Full power input bandwidth	Analog input frequency at which the fundamental component in the digitally reconstructed output waveform has fallen by 3 dB with respect to its low frequency value (determined by FFT analysis) for input at full scale -1 dB (-1 dBFS).
(SSBW)	Small signal input bandwidth	Analog input frequency at which the fundamental component in the digitally reconstructed output waveform has fallen by 3 dB with respect to its low frequency value (determined by FFT analysis) for input at full scale -10 dB (-10 dBFS).
(SINAD)	Signal-to-noise and distortion ratio	Ratio expressed in dB of the RMS signal amplitude, set to 1 dB below full scale (-1 dBFS), to the RMS sum of all other spectral components, including the harmonics except DC.

Table 3-10. Definition of Terms (Continued)

Term		Description
(SNR)	Signal-to-noise ratio	Ratio expressed in dB of the RMS signal amplitude, set to 1dB below full scale, to the RMS sum of all other spectral components excluding the nine first harmonics.
(THD)	Total harmonic distortion	Ratio expressed in dB of the RMS sum of the first nine harmonic components, to the RMS input signal amplitude, set at 1 dB below full scale. It may be reported in dB (that is, related to converter -1 dB full scale), or in dBc (that is, related to input signal level).
(SFDR)	Spurious free dynamic range	Ratio expressed in dB of the RMS signal amplitude, set at 1 dB below full scale, to the RMS value of the highest spectral component (peak spurious spectral component). The peak spurious component may or may not be a harmonic. It may be reported in dB (that is., related to converter -1 dB full scale), or in dBc (that is, related to input signal level).
(ENOB)	Effective number of bits	$ENOB = \frac{-1.76 + 20 \log (A/FS/2)}{6.02}$ Where A is the actual input amplitude and FS is the full scale range of the ADC under test.
(DNL)	Differential nonlinearity	The differential nonlinearity for an output code i is the difference between the measured step size of code i and the ideal LSB step size. DNL (i) is expressed in LSBs. DNL is the maximum value of all DNL (i). DNL error specification of less than 1 LSB guarantees that there are no missing output codes and that the transfer function is monotonic.
(INL)	Integral nonlinearity	The Integral nonlinearity for an output code i is the difference between the measured input voltage at which the transition occurs and the ideal value of this transition. INL (i) is expressed in LSBs, and is the maximum value of all INL (i) .
(TA)	Aperture delay	Delay between the rising edge of the differential clock inputs (CLK,CLKN) (zero crossing point), and the time at which (XAI, XAIN where X = A, B C or D) is sampled.
(JITTER)	Aperture uncertainty	Sample-to-sample variation in aperture delay. The voltage error due to jitter depends on the slew rate of the signal at the sampling point.
(TS)	Settling time	Time delay to achieve 0.2% accuracy at the converter output when a 80% full scale step function is applied to the differential analog input.
(ORT)	Overvoltage recovery time	Time to recover 0.2% accuracy at the output, after a 150% full scale step applied on the input is reduced to midscale.
(TOD)	Digital data output delay	Delay from the rising edge of the differential clock inputs (CLK,CLKN) (zero crossing point) to the next point of change in the differential output data (zero crossing) with specified load.
(TDR)	Data Ready output delay	Delay from the rising edge of the differential clock inputs (CLK,CLKN) (zero crossing point) to the next point of change in the differential output data (zero crossing) with specified load.

Table 3-10. Definition of Terms (Continued)

Term		Description
(TD1)	Time delay from data transition to data ready	The difference TD1-TD2 gives an information if data ready is centered on the output data. If data ready in the middle TD1= TD2 = Tdata/2
(TD2)	Time delay from data ready to data transition	
(TC)	Encoding clock period	TC1 = Minimum clock pulse width (high) TC = TC1 + TC2 TC2 = Minimum clock pulse width (low)
(TPD)	Pipeline delay	Number of clock cycles between the sampling edge of an input data and the associated output data being made available, (not taking in account the TOD).
(TRDR)	Data Ready reset delay	Delay between first rising edge of the clock after SYNC pulse and the setting inactive of the data ready.
(TR)	Rise time	Time delay for the output DATA signals to rise from 20% to 80% of delta between low level and high level.
(TF)	Fall time	Time delay for the output DATA signals to fall from 20% to 80% of delta between low level and high level.
(PSRR)	Power supply rejection ratio	Ratio of input offset variation to a change in power supply voltage.
(NRZ)	Nonreturn to zero	When the input signal is larger than the upper bound of the ADC input range, the output code is identical to the maximum code and the out-of-range bit is set to logic one. When the input signal is smaller than the lower bound of the ADC input range, the output code is identical to the minimum code, and the Out of range bit is set to logic one. (It is assumed that the input signal amplitude remains within the absolute maximum ratings).
(IMD)	Intermodulation distortion	The two tones intermodulation distortion (IMD) rejection is the ratio of either input tone to the worst third order intermodulation products.
(NPR)	Noise power ratio	The NPR is measured to characterize the ADC performance in response to broad bandwidth signals. When applying a notch-filtered broadband white-noise signal as the input to the ADC under test, the noise power ratio is defined as the ratio of the average out-of-notch to the average in-notch power spectral density magnitudes for the FFT spectrum of the ADC output sample test.
(VSWR)	Voltage standing wave ratio	The VSWR corresponds to the ADC input insertion loss due to input power reflection. For example a VSWR of 1.2 corresponds to a 20 dB return loss (that is, 99% power transmitted and 1% reflected).

4. Characterization Results

Nominal conditions (unless otherwise specified):

- $VCC = 3.3V$, $VCCD = 1.8V$, $VCCO = 1.8V$
- -1 dBFS analog input (full scale input, $VIN - VINN = 500$ mVpp)
- Clock input differentially driven; analog input differentially driven
- Default mode: four-channel mode ON, binary output data format, digital interface ON, Standby mode off, nominal bandwidth

Figure 4-1. Normalized Full Power Input Bandwidth (-1 dBFS Input, 1-channel Mode, $F_c = 2.5GHz$, Full Bandwidth Setting)

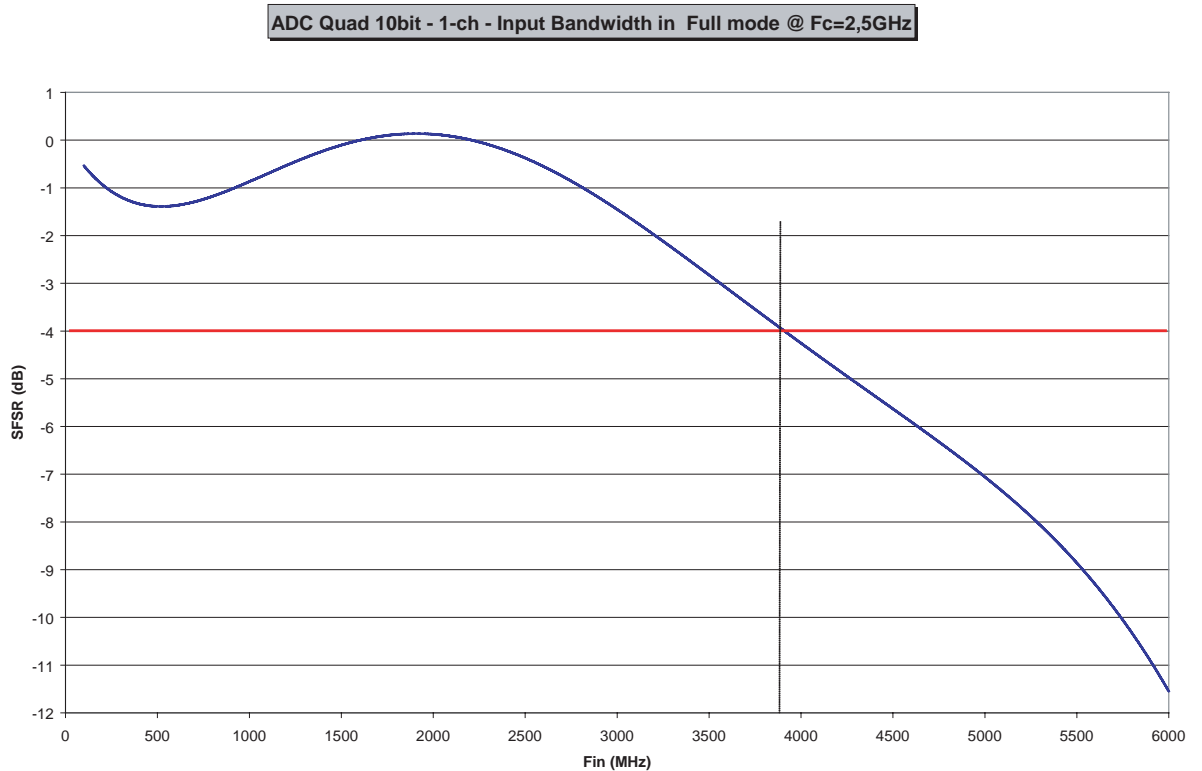


Figure 4-2. Full Power Input Bandwidth (-1 dBFS Input, 1-channel Mode, Fc = 2.5GHz, Nominal Bandwidth Setting)

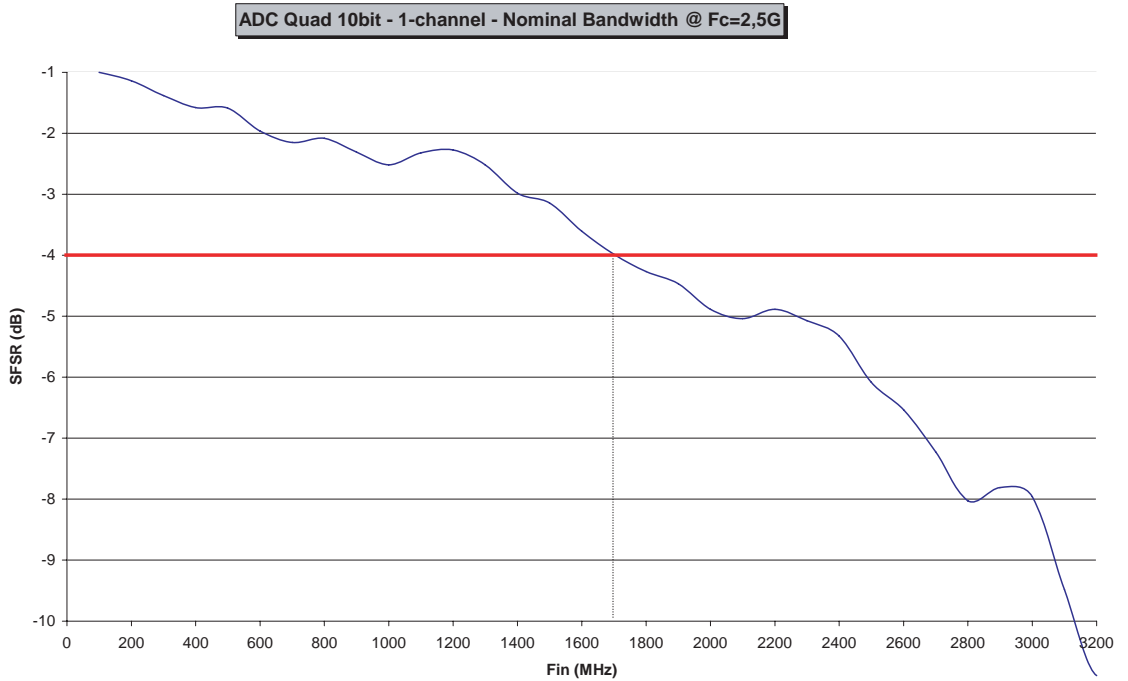


Figure 4-3. ENOB vs Fin in 1 Channel Mode Versus Temp and Power Supply (Min ' all Power Supplies at min value, Max ' all Power Supplies at max Value)

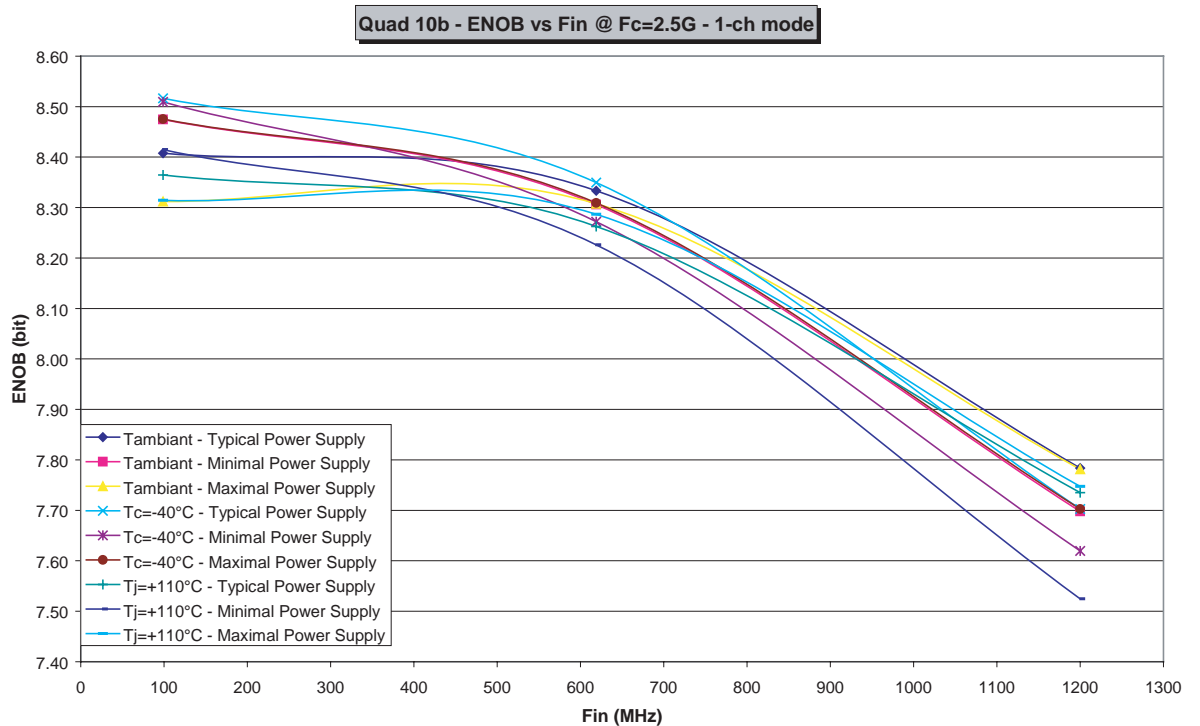


Figure 4-4. SFDR vs Fin in 1 Channel Mode Versus Temp and Power Supply (Min ' all Power Supplies at min value, Max ' all Power Supplies at max Value)

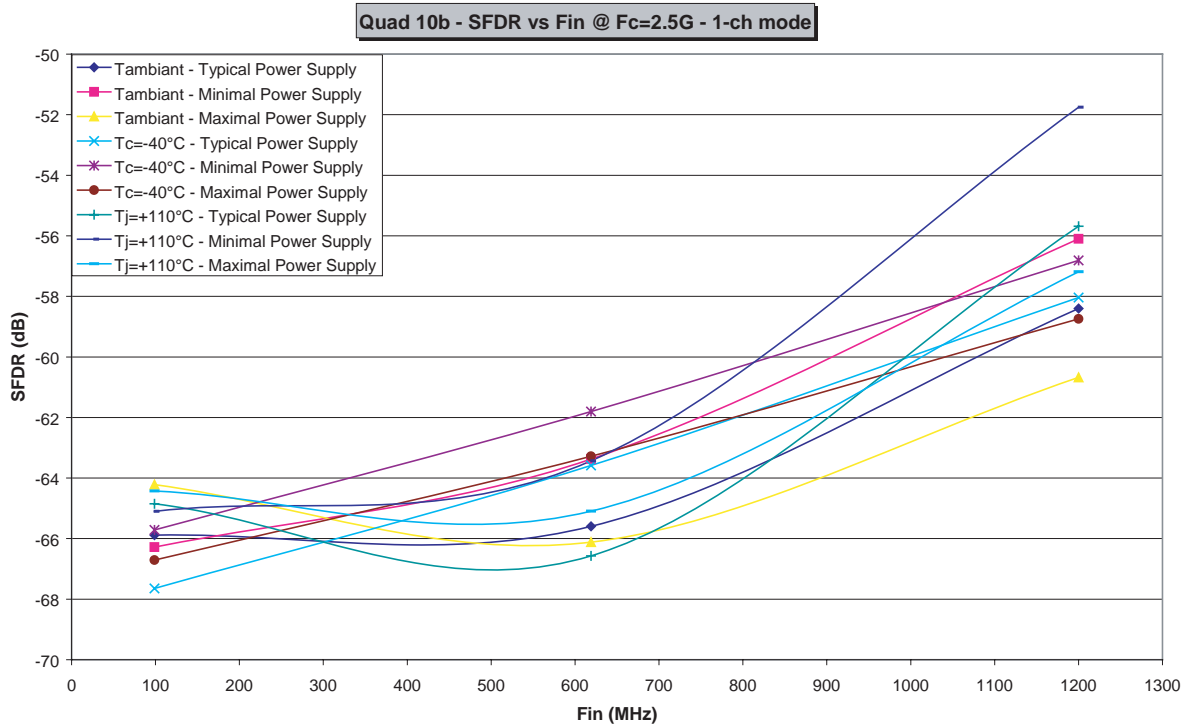


Figure 4-5. Spectrum at Fs = 2.5 Gps (1-channel Mode), Fin = 1200 MHz

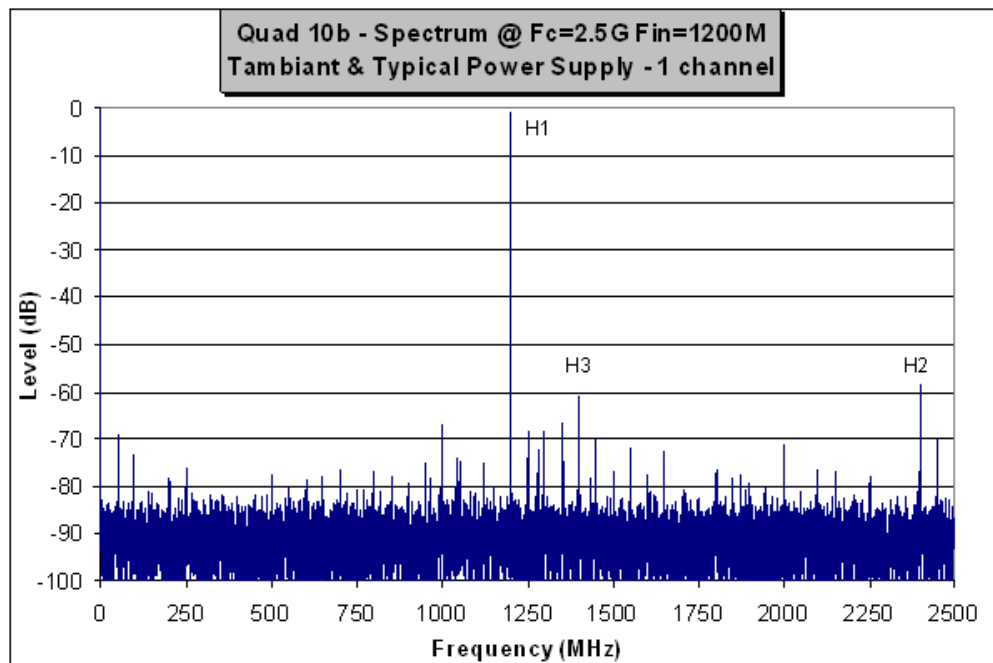


Figure 4-6. Spectrum at $F_s = 2.5$ Gsps (2-channel Mode), $F_{in} = 1200$ MHz

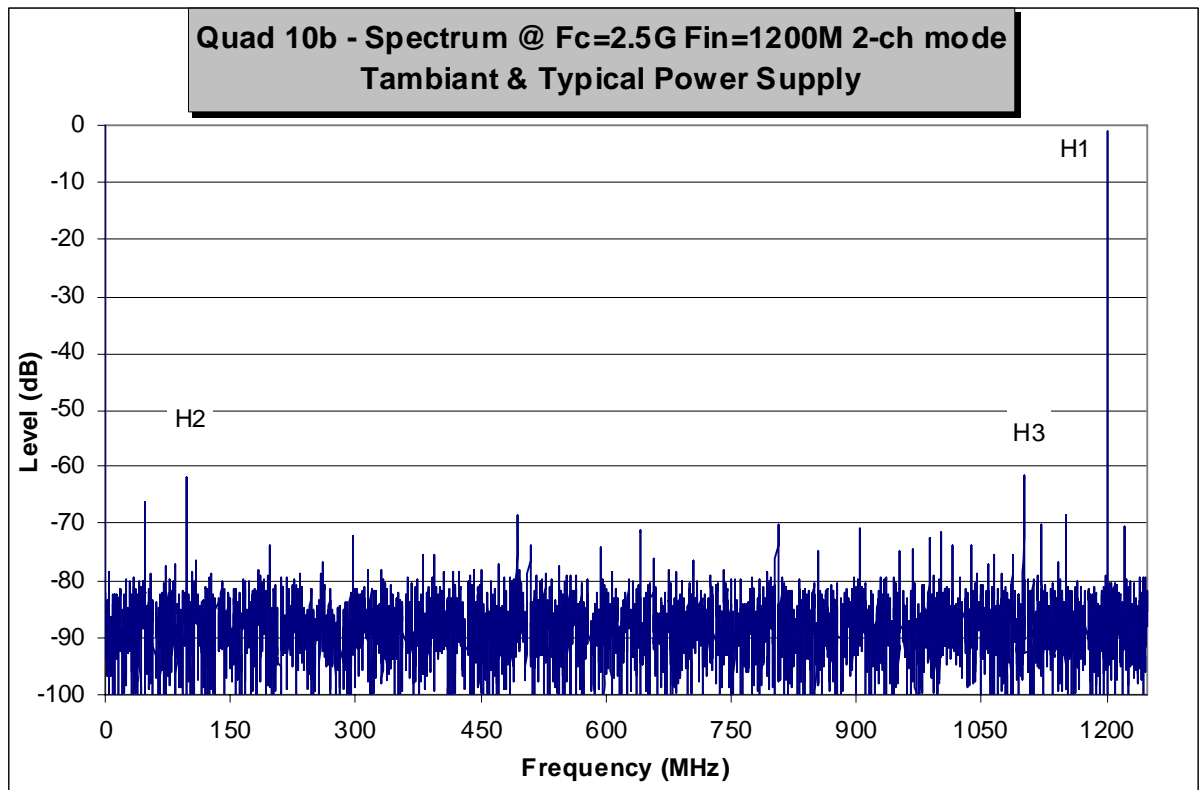
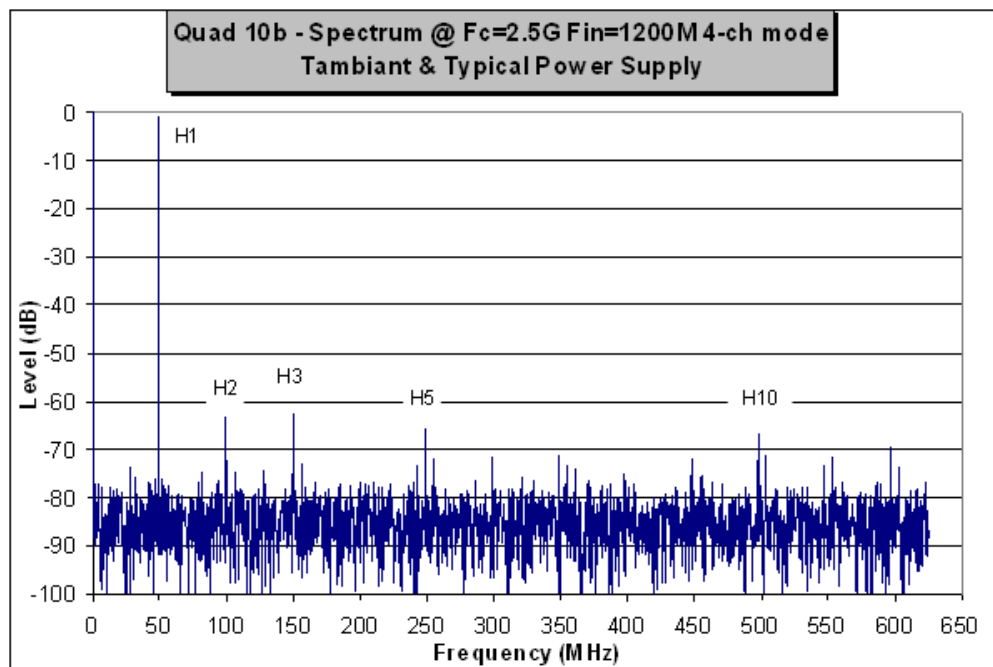
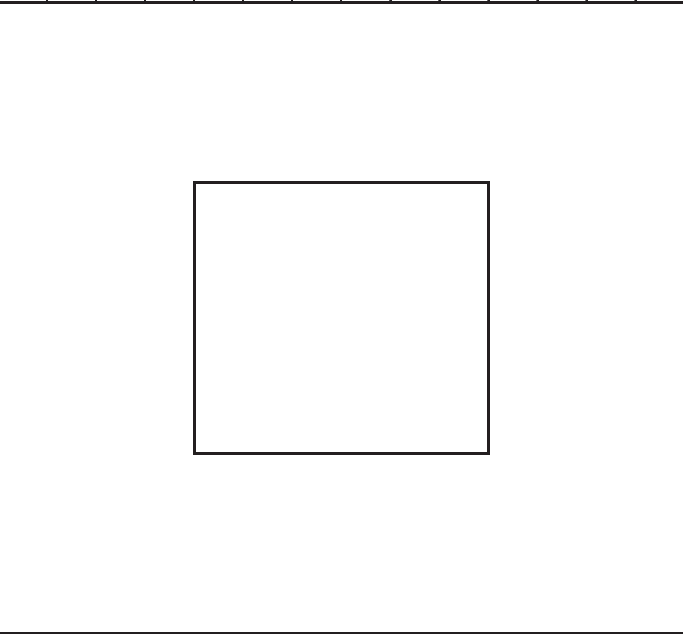
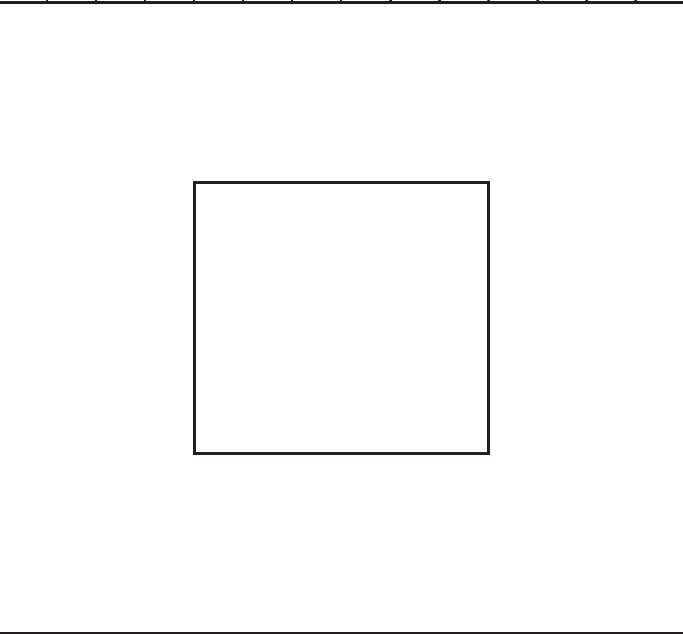
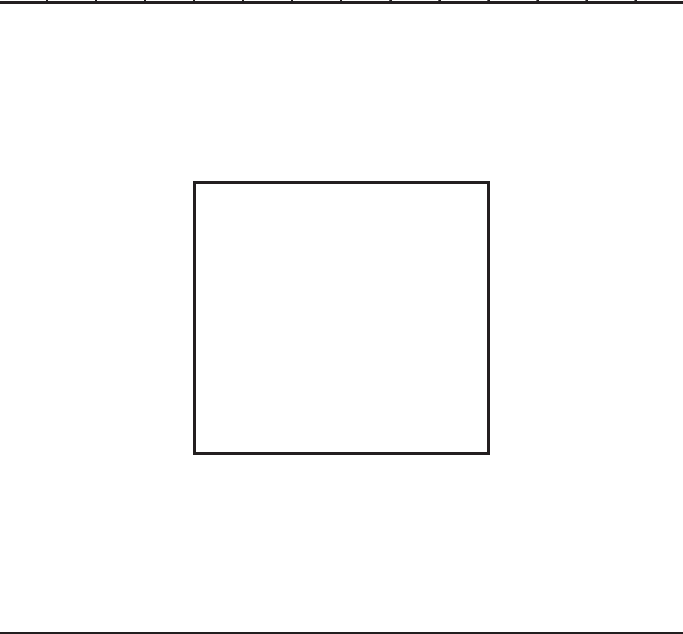
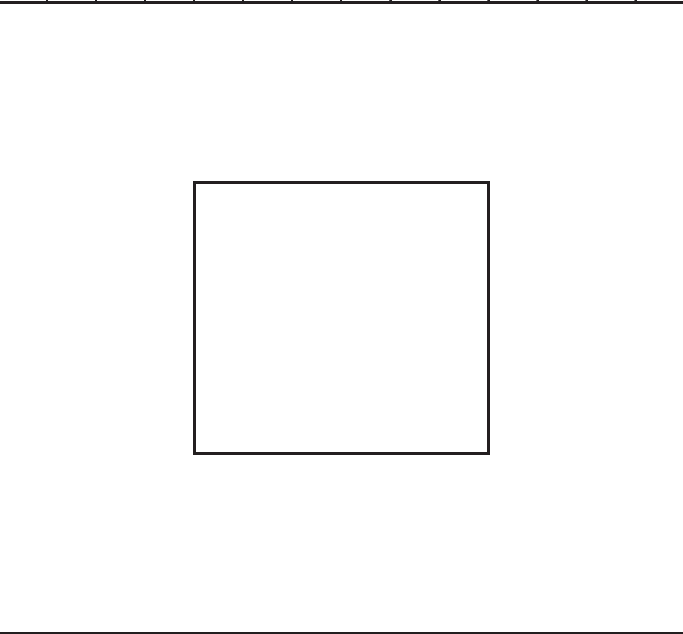
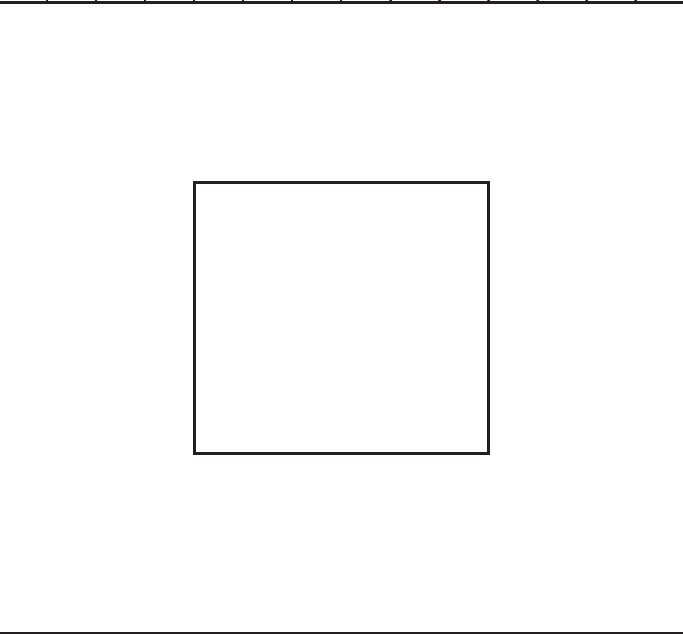
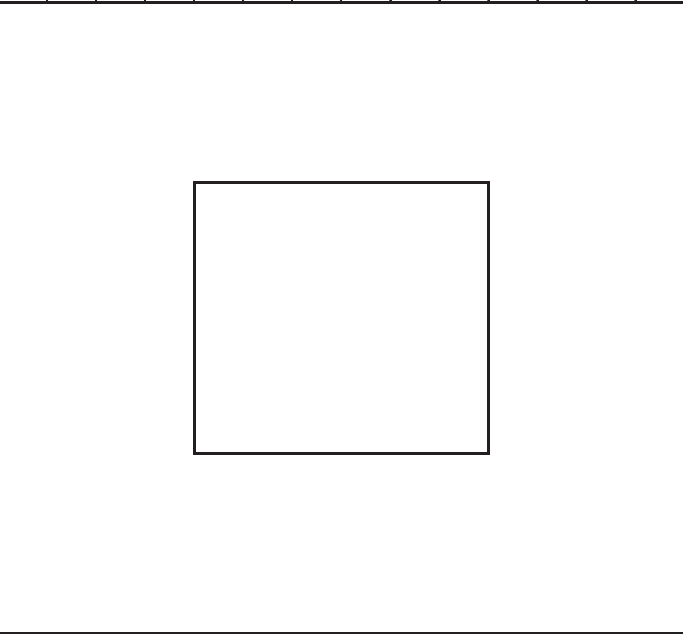
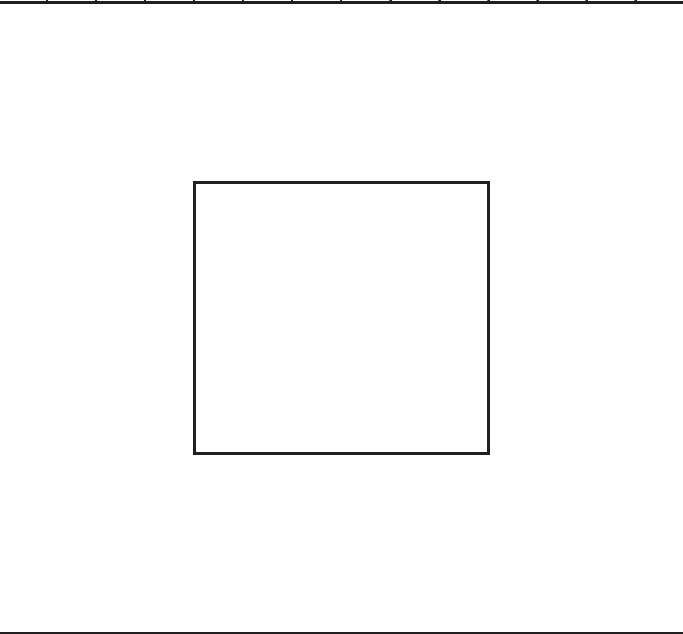
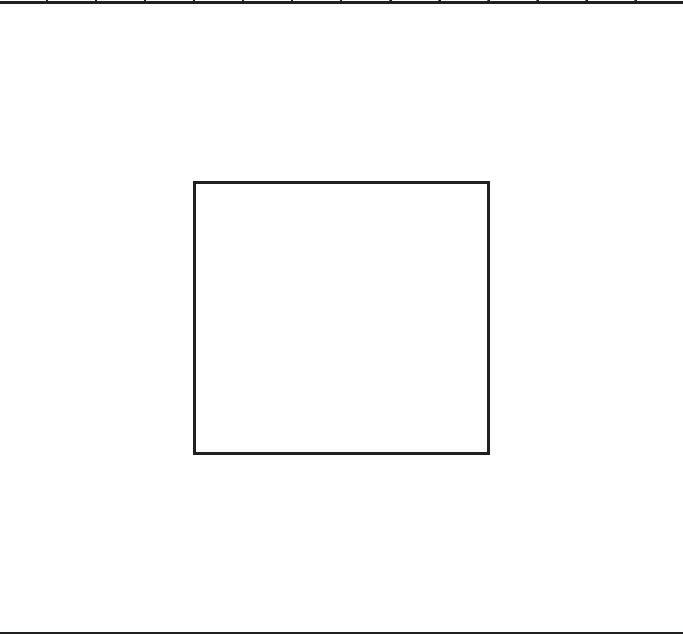
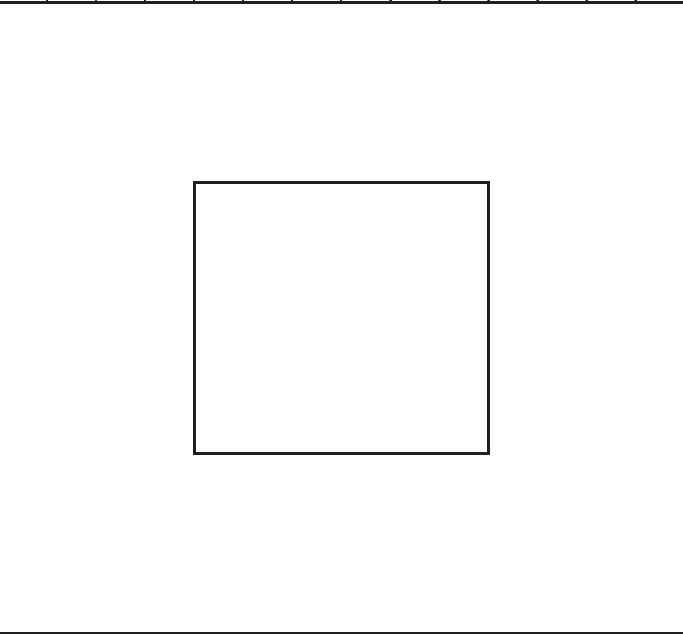
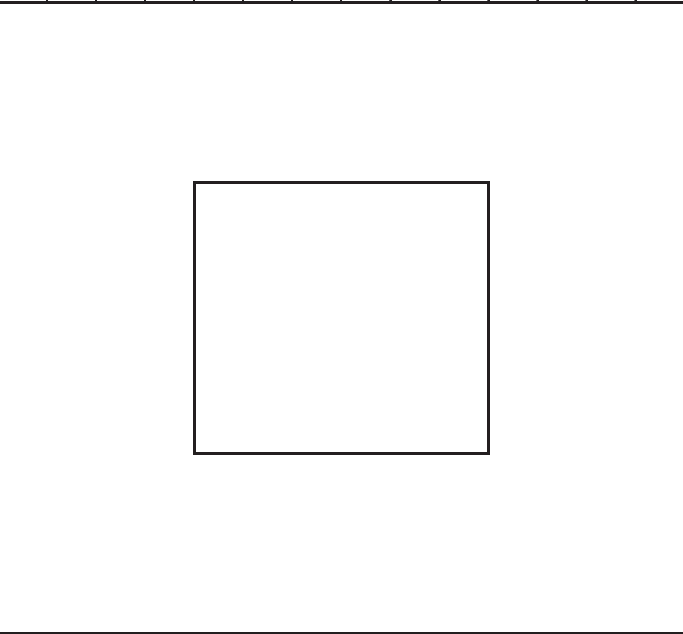
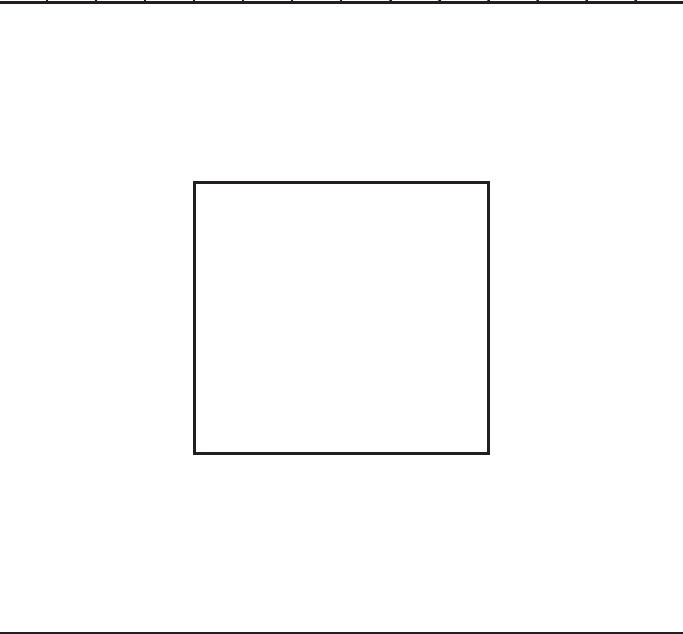
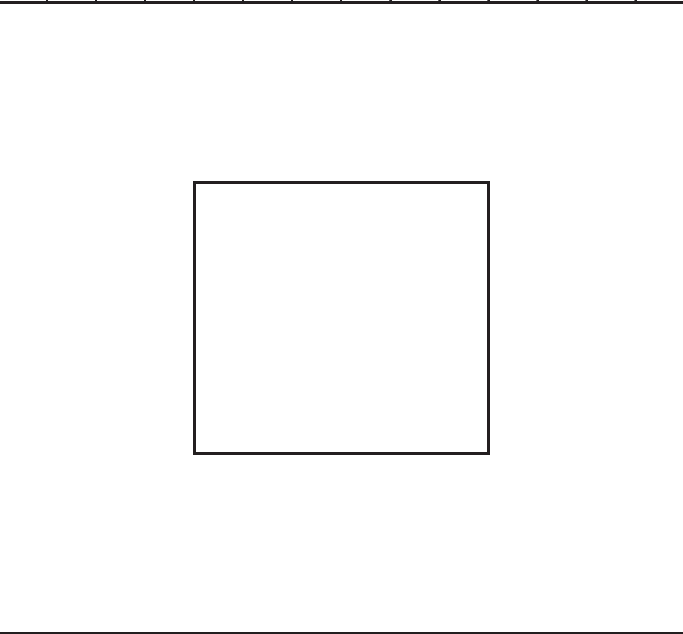
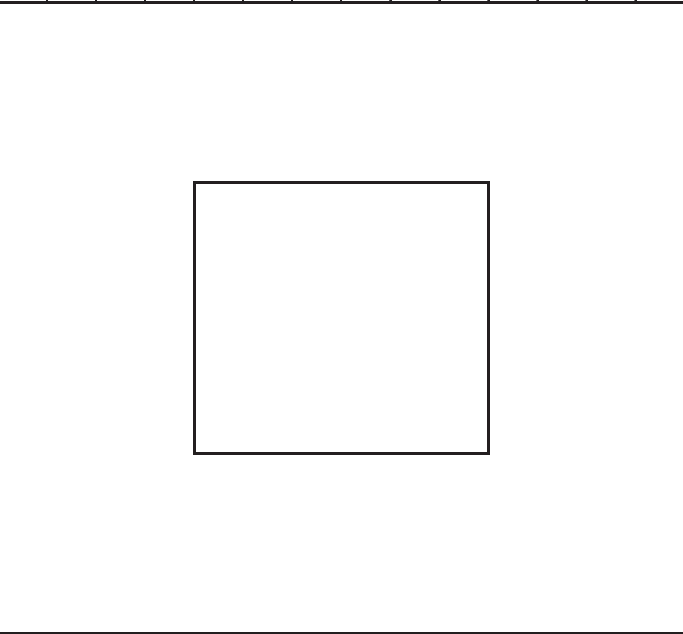
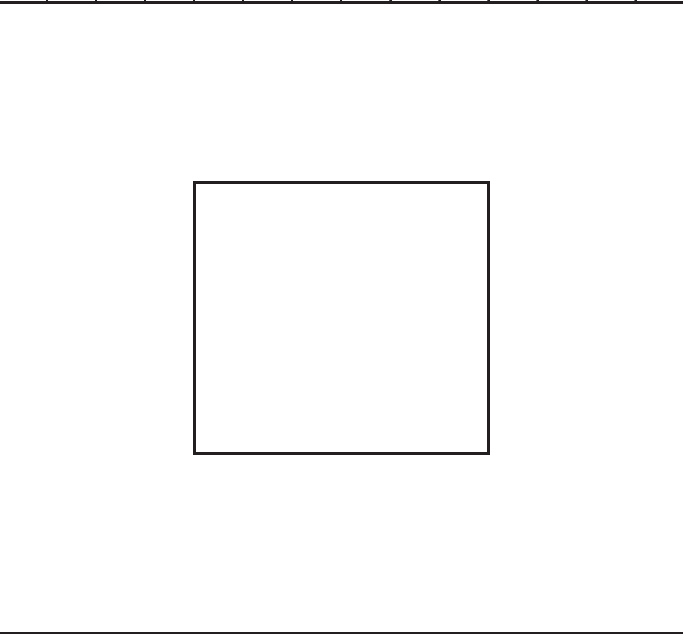


Figure 4-7. Spectrum at $F_s = 2.5$ Gsps (4-Channels Mode), $F_{in} = 1200$ MHz



5. Pin Description

5.1 Pinout View (Bottom View)

	1	2	3	4	5	6	7	8	9	10	11	12	13	14	15	16	17	18	19	20	21	22	23	24																																																																																																																	
AD	GND	VCC	B8	B9	B0R	GND	DiodA	NC	GND	NC	SYNCP	CLK	CLKN	scan0	scan2	sclk	mosi	Res50	GND	COR	C9	C8	VCC	GND	AD																																																																																																																
AC	GND	VCC	B8N	B9N	B0RN	GND	DiodC	GND	VCC	NC	SYNCP	GND	GND	scan1	rstin	csn	miso	Res62	GND	CORN	C9N	C8N	VCC	GND	AC																																																																																																																
AB	NC	NC	VCC	GND	VCC	GND	VCC	GND	GND	VCC	VCCD	GND	GND	VCC	VCC	GND	GND	VCC	GND	VCC	GND	VCC	NC	NC	AB																																																																																																																
AA	NC	NC	VCC	GND	VCCO	VCC	VCC	GND	GND	VCC	VCCD	GND	GND	VCC	VCC	GND	GND	VCC	VCCO	GND	VCC	NC	NC	AA																																																																																																																	
Y	NC	NC	VCCO	GND	GND	VCCO	VCC	GND	GND	VCC	VCCD	GND	GND	VCC	VCC	GND	GND	VCC	VCCO	GND	GND	VCCO	NC	NC	Y																																																																																																																
W	NC	NC	VCCO	GND	GND															GND	GND	VCCO	NC	NC	W																																																																																																																
V	NC	NC	NC	NC	GND																													GND	NC	NC	NC	NC	V																																																																																																		
U	B7	B7N	NC	NC	VCCO																																											VCCO	NC	NC	C7N	C7	U																																																																																				
T	B5	B5N	B6	B6N	GND																																																									GND	C6N	C6	C5N	C5	T																																																																						
R	B3	B3N	B4	B4N	VCC																																																																							VCC	C4N	C4	C3N	C3	R																																																								
P	B1	B1N	B2	B2N	GND																																																																																					GND	C2N	C2	C1N	C1	P																																										
N	BDR	BDRN	B0	B0N	VCC																																																																																																			VCC	C0N	C0	CDRN	CDR	N																												
M	ADR	ADRN	A0	A0N	VCC																																																																																																																	VCC	D0N	D0	DDRN	DDR	M														
L	A1	A1N	A2	A2N	GND																																																																																																																															GND	D2N	D2	D1N	D1	L
K	A3	A3N	A4	A4N	VCC																																																																																																																																				
J	A5	A5N	A6	A6N	GND																																																																																																																																				
H	A7	A7N	NC	NC	VCCO																																																																																																																																				
G	NC	NC	NC	NC	GND																																																																																																																																				
F	NC	NC	VCCO	GND	GND																																																																																																																																				
E	NC	NC	VCCO	GND	GND																																																									VCCO	VCC	GND	GND	GND	GND	GND	GND	GND	GND	GND	VCC	VCCO	GND																																																														
D	NC	NC	VCC	GND	VCCO																																																									VCC	VCC	GND	GND	GND	GND	GND	GND	GND	GND	GND	VCC	VCC	VCCO	GND	VCC	NC	NC	D																																																									
C	NC	NC	VCC	GND	VCC																																																									VCC	GND	GND	GND	GND	GND	GND	GND	GND	GND	GND	VCC	VCC	GND	VCC	NC	NC	C																																																										
B	GND	VCC	A8N	A9N	A0RN																																																									GND	GND	GND	GND	GND	GND	CMIRefAB	CMIRefCD	GND	GND	GND	GND	GND	GND	DORN	D9N	D8N	VCC	GND	B																																																								
A	GND	VCC	A8	A9	A0R																																																									GND	AAI	AAIN	GND	BAI	BAIN	GND	GND	CAI	CAIN	GND	DAI	DAIN	GND	DOR	D9	D8	VCC	GND	A																																																								

5.2 Pinout Table

Table 5-1. Pinout Table

Pin Label	Pin Number	Description	I/O	Simplified Electrical Schematics
Power supplies				
GND	A1, A6, A9, A12, A13, A16, A19, A24, B1, B6, B7, B8, B9, B10, B11, B14, B15, B16, B17, B18, B19, B24, C4, C7, C8, C9, C10, C11, C12, C13, C14, C15, C16, C17, C18, C21, D4, D8, D9, D10, D11, D12, D13, D14, D15, D16, D17, D21, E8, E9, E10, E11, E12, E13, E14, E15, E16, E17, J5, J20, L5, L20, P5, P20, T5, T20, Y8, Y9, Y12, Y13, Y16, Y17, AA4, AA8, AA9, AA12, AA13, AA16, AA17, AA21, AB4, AB6, AB8, AB9, AB12, AB13, AB16, AB17, AB19, AB21, AC1, AC6, AC12, AC13, AC19, AC24, AD1, AD6, AD19, AD24 E4, E5, E20, E21, F4, F5, F20, F21, G5, G20, V5, V20, W4, W5, W20, W21, Y4, Y5, Y20, Y21, AC8, AD9	Ground All ground pin must be connect to a one solid ground plane on evaluation board Common ground (analog + digital)		
VCC	A2, A23, B2, B23, C3, C5, C6, C19, C20, C22, D3, D6, D7, D18, D19, D22, E7, E18, K5, K20, M5, M20, N5, N20, R5, R20, Y7, Y10, Y15, Y18, AA3, AA6, AA7, AA10, AA15, AA18, AA19, AA22, AB3, AB5, AB7, AB10, AB15, AB18, AB20, AB22, AC2, AC23, AD2, AD23 AA14, AB14, Y14 AC9	Analog + SPI pads power supply (3.3V)		
VCCD	Y11, AB11, AA11	Digital power supply (1.8V)		
VCCO	D5, D20, E3, E6, E19, E22, F3, F22, H5, H20, U5, U20, W3, W22, Y3, Y6, Y19, Y22, AA5, AA20	Output power supply (1.8V)		

Table 5-1. Pinout Table (Continued)

Pin Label	Pin Number (Continued)	Description	I/O	Simplified Electrical Schematics
Clock Signal				
CLK CLKN	AD12 AD13	<p>In-phase input clock signal and out-of-phase input clock signal.</p> <p>Master input clock (Sampling clock). This is a differential clock with internal common mode at 1.8V. It should be driven in AC coupling.</p> <p>Equivalent internal differential 100Ω input resistor.</p>	I	
Analog Input Signals				
AAI AAIN	A7 A8	<p>In-phase analog input channel A.</p> <p>Out-of-phase analog input channel A</p>	I	
BAI BAIN	A10 A11	<p>In phase analog input channel B.</p> <p>Out-of-phase analog input channel B</p>	I	
CAI CAIN	A14 A15	<p>In-phase analog input channel C.</p> <p>Out-of-phase analog input channel C</p>	I	
DAI DAIN	A17 A18	<p>In-phase analog input channel D.</p> <p>Out-of-phase analog input channel D</p>	I	
XAI XAIN		<p>In phase analog input channel X (X = A, B, C or D).</p> <p>Out-of-phase analog input channel X</p> <p>Analog input (differential) with internal common mode at 1.6V (CMIRefAB/CD signal). It should be driven in AC coupling or DC coupling with CMIREFAB/CD output signal.</p> <p>XAI input is sampled and converted (10 bit) on each positive transition on the CLK Input.</p> <p>Equivalent internal differential 100Ω input resistor</p>	I	
Digital output signals				
A0, A0N A1, A1N A2, A2N A3, A3N A4, A4N A5, A5N A6, A6N A7, A7N A8, A8N A9, A9N	M3, M4 L1, L2 L3, L4 K1, K2 K3, K4 J1, J2 J3, J4 H1, H2 A3, B3 A4, B4	<p>Channel A in phase output data</p> <p>A0 is the LSB, A9 is the MSB.</p> <p>Channel A out of phase output data</p> <p>A0N is the LSB, A9N is the MSB.</p> <p>This differential digital output data is transmitted at CLK/2 clock rate (1.25 Gbps max). Each of these outputs should always be terminated by 100Ω differential resistor placed as close as possible to differential receiver</p> <p>Differential LVDS signal</p>	O	

Table 5-1. Pinout Table (Continued)

Pin Label	Pin Number (Continued)	Description	I/O	Simplified Electrical Schematics
AOR AORN	A5 B5	<p>Channel A output out- of-range bit</p> <p>This differential output is asserted logic high while the over or under range condition exist for the channel A.</p> <p>Each of these outputs should always be terminated by 100Ω differential resistor placed as close as possible to differential receiver.</p> <p>Differential LVDS signal</p>	O	
ADR ADRN	M1 M2	<p>Channel A output clock (data ready clock in DDR mode)</p> <p>This differential output clock is used to latch the output data on rising and falling edge.</p> <p>This differential digital output clock is at CLK/4 clock frequency (625 MHz max) should always be terminated by 100Ω differential resistor placed as close as possible to differential receiver</p> <p>Differential LVDS signal</p>	O	
B0, B0N B1, B1N B2, B2N B3, B3N- B4, B4N B5, B5N B6, B6N B7, B7N B8, B8N B9, B9N	N3, N4 P1, P2 P3, P4 R1, R2 R3, R4 T1, T2 T3, T4 U1, U2 AD3, AC3 AD4 AC4	<p>Channel B in phase output data B0 is the LSB, B9 is the MSB B0N is the LSB, B9N is the MSB</p> <p>This differential digital output data is transmitted at CLK/2 clock rate (1.25Gbps max). Each of these outputs should always be terminated by 100Ω differential resistor place as close as possible to differential receiver</p> <p>Differential LVDS signal</p>	O	
BOR BORN	AD5 AC5	<p>Channel B output Out of range bit</p> <p>This differential output is asserted logic high while the over or under range condition exist for the channel B</p> <p>Each of these outputs should always be terminated by 100Ω differential resistor placed as close as possible to differential receiver</p> <p>Differential LVDS signal</p>	O	

Table 5-1. Pinout Table (Continued)

Pin Label	Pin Number (Continued)	Description	I/O	Simplified Electrical Schematics
BDR BDRN	N1 N2	<p>Channel B Output clock</p> <p>This differential output clock is used to latch the output data on rising and falling edge.</p> <p>This differential digital output clock is at CLK/4 clock frequency (625 MHz max).</p> <p>should always be terminated by 100Ω differential resistor placed as close as possible to differential receiver</p> <p>Differential LVDS signal</p>	O	
C0, C0N C1, C1N C2, C2N C3, C3N C4, C4N C5, C5N C6, C6N C7, C7N C8, C8N C9, C9N	N22, N21 P24, P23 P22, P21 R24, R23 R22, R21 T24, T23 T22, T21 U24, U23 AD22, AC22 AD21, AC21	<p>Channel C in phase output data C0 is the LSB, C9 is the MSB C0N is the LSB, C9N is the MSB</p> <p>This differential digital output data is transmitted at CLK/2 clock rate (1.25Gbps max). Each of these outputs should always be terminated by 100Ω differential resistor placed as close as possible to differential receiver</p> <p>Differential LVDS signal</p>	O	
COR CORN	AD20 AC20	<p>Channel C output Out of range bit.</p> <p>This differential output is asserted logic high while the over or under range condition exist for the channel C.</p> <p>Each of these outputs should always be terminated by 100Ω differential resistor placed as close as possible to differential receiver.</p> <p>Differential LVDS signal</p>	O	
CDR CDRN	N24 N23	<p>Channel C Output clock</p> <p>This differential output clock is used to latch the output data on rising and falling edge.</p> <p>This differential digital output clock is at CLK/4 clock frequency (625MHz max).</p> <p>Should always be terminated by 100Ω differential resistor placed as close as possible to differential receiver</p> <p>Differential LVDS signal</p>	O	

Table 5-1. Pinout Table (Continued)

Pin Label	Pin Number (Continued)	Description	I/O	Simplified Electrical Schematics
D0, D0N D1, D1N D2, D2N D3, D3N D4, D4N D5, D5N D6, D6N D7, D7N D8, D8N D9, D9N	M22, M21 L24, L23 L22, L21 K24, K23 K22, K21 J24, J23 J22, J21 H24, H23 A22, B22 A21, B21	Channel D in phase output data D0 is the LSB, D9 is the MSB D0N is the LSB, D9N is the MSB This differential digital output data is transmitted at CLK/2 clock rate (1.25Gbps max). Each of these outputs should always be terminated by 100Ω differential resistor placed as close as possible to differential receiver Differential LVDS signal	O	
DOR DORN	A20 B20	Channel D output out-of-range bit This differential output is asserted logic high while the over or under range condition exist for the channel D Each of these outputs should always be terminated by 100Ω differential resistor placed as close as possible to differential receiver Differential LVDS signal	O	
DDR DDRN	M24 M23	Channel D Output clock This differential output clock is used to latch the output data on rising and falling edge. This differential digital output clock is at CLK/4 clock frequency (625 MHz max). should always be terminated by 100Ω differential resistor placed as close as possible to differential receiver Differential LVDS signal	O	

Table 5-1. Pinout Table (Continued)

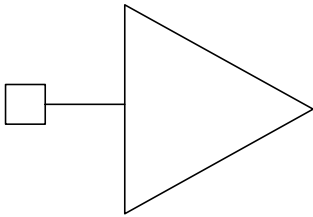
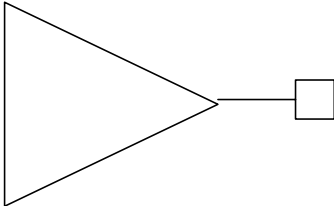
Pin Label	Pin Number (Continued)	Description	I/O	Simplified Electrical Schematics
SPI Signals				
csn	AC16	SPI signal (3.3V CMOS) Input Chip Select signal (Active low) When this signal is active low, sclk is used to clock data present on MOSI or MISO signal Refer to section 6.6 for more information	I	 <p>Non-inverting CMOS Schmitt-trigger input</p>
sclk	AD16	SPI signal (3.3V CMOS) Input SPI serial Clock Serial data is shifted into and out SPI synchronously to this signal on positive transition of sclk refer to Section 6.6 for more information	I	
mosi	AD17	SPI signal (3.3V CMOS) Data SPI Input signal (Master Out Slave In) Serial data input is shifted into SPI while sldn is active low Refer Section 6.6 for more information	I	
rstn	AC15	SPI signal (3.3V CMOS) Input Digital asynchronous SPI reset (Active low) This signal allows to reset the internal value of SPI to their default value Refer Section 6.6 for more information	I	
miso	AC17	SPI signal (3.3V CMOS) Data output SPI signal (Master In Slave Out) Serial data output is shifted out SPI while sldn is active low. MISO should be pulled up to V _{CC} using 1K - 3K3 resistor MISO not tristated when inactive Refer Section 6.6 for more information	O	 <p>Output Pad 80Ohm 4mA</p>
Other signals				
scan0 scan1 scan2	AD14 AC14 AD15	Scan mode signals (Used for internal purpose) Pull up to VCC		

Table 5-1. Pinout Table (Continued)

Pin Label	Pin Number (Continued)	Description	I/O	Simplified Electrical Schematics
SYNCP SYNCP	AC11 AD11	Differential Input Synchronization signal (LVDS) Active high signal This signal is used to synchronize external ADC, Refer to Section 6.6 for more information Equivalent internal differential 100Ω input resistor	I	
Res50 Res62	AD18 AC18	50Ω and 62Ω reference resistor input Refer Section 6.5 for more information		
CMIRefAB CMIRefCD	B12 B13	Output voltage reference for Channel A-B and C-D Input Common mode In AC coupling operation this output could be left floating (not used) In DC coupling operation, this pins provides an output voltage witch is the common mode voltage for the analog input signal and should be used to set the common mode voltage of the input driving buffer. CMIRefAB for A and B channel CMIRefCD for C and D channel	O	

EV10AQ190A

Table 5-1. Pinout Table (Continued)

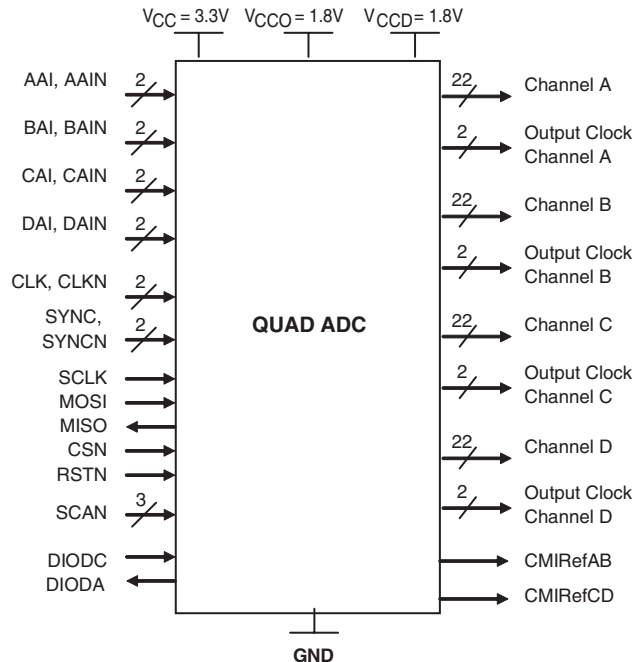
Pin Label	Pin Number (Continued)	Description	I/O	Simplified Electrical Schematics
DiodA DiodC	AD7 AC7	Input Temperature diode Anode Input Temperature diode Cathode Refer Section 6.4 for more information	I	
NC	C1, C2, C23, C24, D1, D2, D23, D24, E1, E2, E23, E24, F1, F2, F23, F24, G1, G2, G3, G4, G21, G22, G23, G24, H3, H4, H21, H22, U3, U4, U21, U22, V1, V2, V3, V4, V21, V22, V23, V24, W1, W2, W23, W24, Y1, Y2, Y23, Y24, AA1, AA2, AA23, AA24, AB1, AB2, AB23, AB24, AD10, AD8, AC10	Reserved pins Do not connect	O	

6. Functional Description

6.1 Overview

Table 6-1. Functions Description

Name	Function		
V _{CC}	3.3V power supply (analog core + SPI pads)		
V _{CCO}	1.8V output power supply		
V _{CCD}	1.8V digital power supply		
GND	Ground		
AAI, AAIN	Channel A Differential analog input		
BAI, BAIN	Channel B Differential analog input		
CAI, CAIN	Channel C Differential analog input		
DAI, DAIN	Channel D Differential analog input		
CLK, CLKN	Differential Clock Input		
[A0:A9] [A0N:A9N]	Channel A Differential output data		
[B0:B9] [B0N:B9N]	Channel B Differential output data		
[C0:C9] [C0N:C9N]	Channel C Differential output data		
[D0:D9] [D0N:D9N]	Channel D Differential output data		
AOR, AORN	Channel A Differential out of range		
BOR, BORN	Channel B Differential out of range	CSN	Chip Select (active low)
COR, CORN	Channel C Differential out of range	RSTN	Digital asynchronous reset (active low)
DOR, DORN	Channel D Differential out of range	SCAN[2:0]	Digital scan mode signals
ADR, ADRN	Channel A differential Data Ready	DIOD1A	Diode anode for die junction temperature monitoring
BDR, BDRN	Channel B differential Data Ready	DIOD1C	Diode cathode for die junction temperature monitoring
CDR, CDRN	Channel C differential Data Ready	Res50	50Ω reference input resistor
DDR, DDRN	Channel D Differential Data Ready	Res62	62Ω reference input resistor
SYNC, SYNCN	Synchronization of Data Ready (LVDS)	CMIRefAB	Output reference for Input common mode reference Channels A and B
SCLK	SPI Clock	CMIRefCD	Output reference for Input common mode reference Channels C and D
MISO	Master In Slave out SPI output		
MOSI	Master Out Slave In SPI Input		



6.2 ADC Synchronization Signal (SYNCP, SYNCN)

The SYNCP, SYNCN signal has LVDS electrical characteristics. It is active high and should last at least TSYNC clock cycles to work properly.

This signal is used for internal synchronization. Its behavior is selectable via SPI (RM and SYNC registers).

The SYNC register allows for expanding the internal SYNC signal in order to align different chips for multi-channel applications. This additional time can be programmed from 0 to 15 input clock cycles.

The RM bit (Control register) describes the behavior of the SYNC signal:

- If RM is set to LOW, internal clocks are locked while SYNC is active
- If RM is set to HIGH, internal clocks will continue toggling during SYNC and will be resynchronized only at falling edge of SYNC. (this is to prevent to unlock PLL on data).

The SYNCP, SYNCN pulse is mandatory whenever the following ADC modes are changed: Standby, DMUX mode, Test mode (2), Channel mode. For all other ADC modes there is no need to perform a SYNCP, SYNCN pulse.

Examples:

The SYNCP, SYNCN pulse is mandatory after power up or power configuration: when switching the ADC from standby (full or partial) to normal mode.

The SYNCP, SYNCN pulse is mandatory after channel mode configuration: when switching the ADC from four-channel mode to one-channel mode.

The SYNCP, SYNCN pulse is mandatory for test sequence: when switching the ADC from normal running mode to ramp or flashing mode (see in normal mode test resources are powered down and need to be reinitialized after entering in test mode) but it is not needed when the ADC is switched from test mode (ramp or flashing), to normal running mode.

- Notes:
1. In decimation mode, the SYNCP, SYNCN signal also resets the clock dividers for decimation, therefore data outputs are not refreshed or may be corrupted when SYNC, SYNCN is active.
 2. SYNCP, SYNCN pulse is not needed from Test mode to Normal mode. For details regarding synchronization of multiple converters see Application Note "Synchronization of Multiple EV10AQ190".
 3. To avoid metastability problems on internal SYNC signals, it is mandatory to respect SYNC T1 and T2 time (see [Table 3-7](#)), as no transition of the SYNC signal is allowed between T1 and T2 time. Please refer to [Figure 6-3 on page 39](#).

Figure 6-1. ADC SYNC Timing in Four-channel Mode, RM=0, SYNC Register y = 3 (Tunable 0 to 15 Cycles)

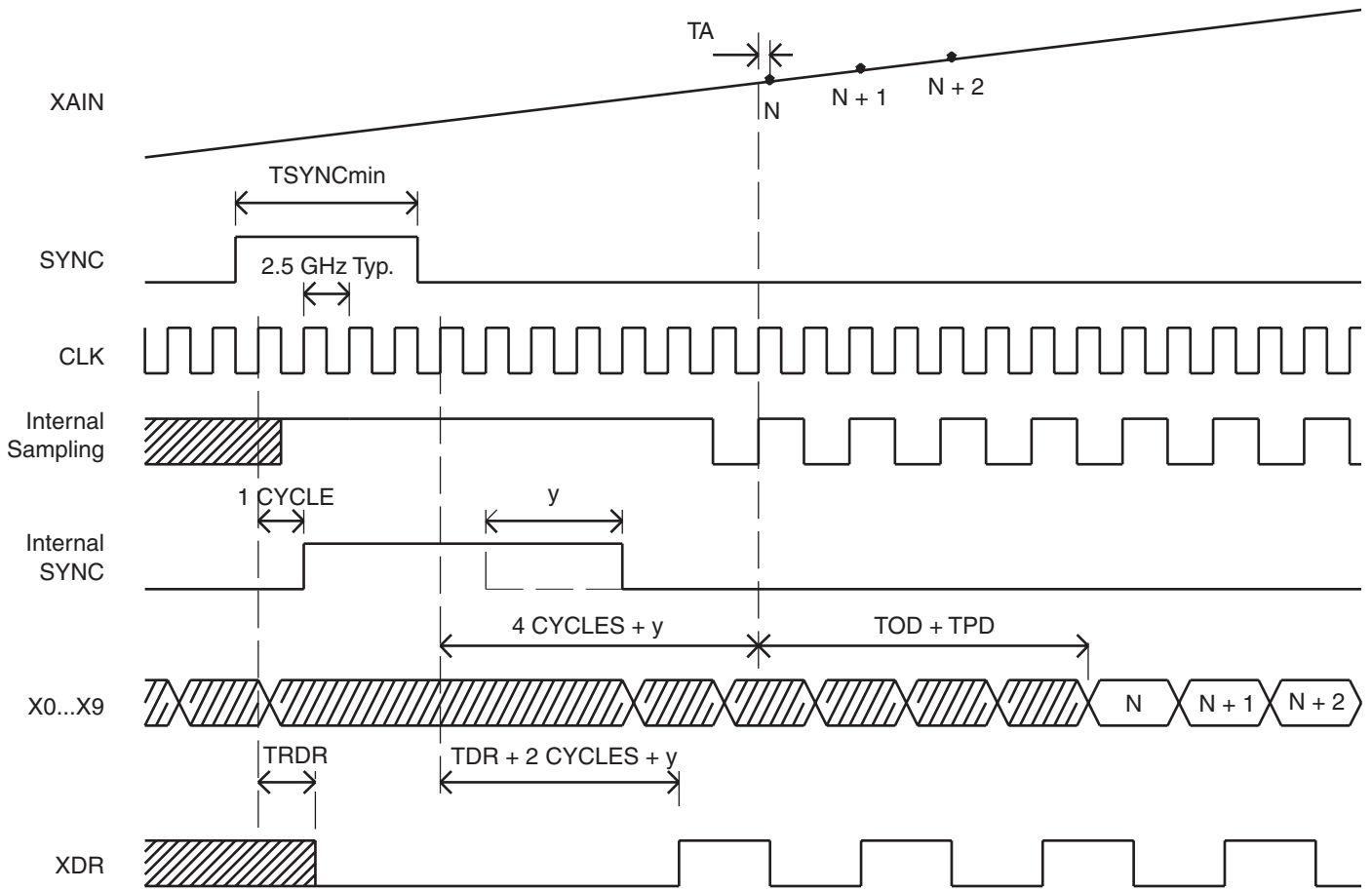


Figure 6-2. ADC SYNC Timing in Four-channel Mode, RM=1, SYNC Register y = 3 (Tunable 0 to 15 Cycles)

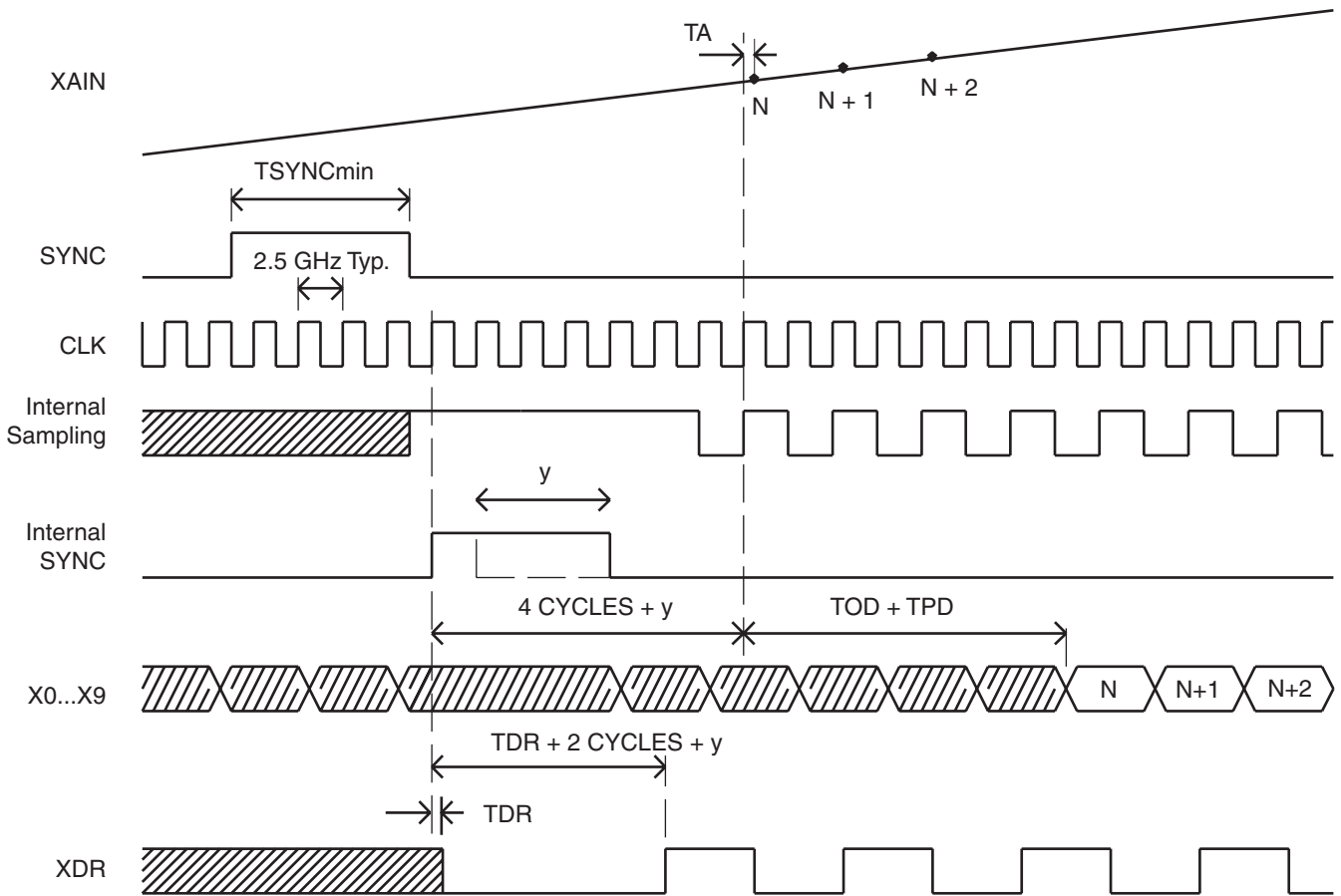
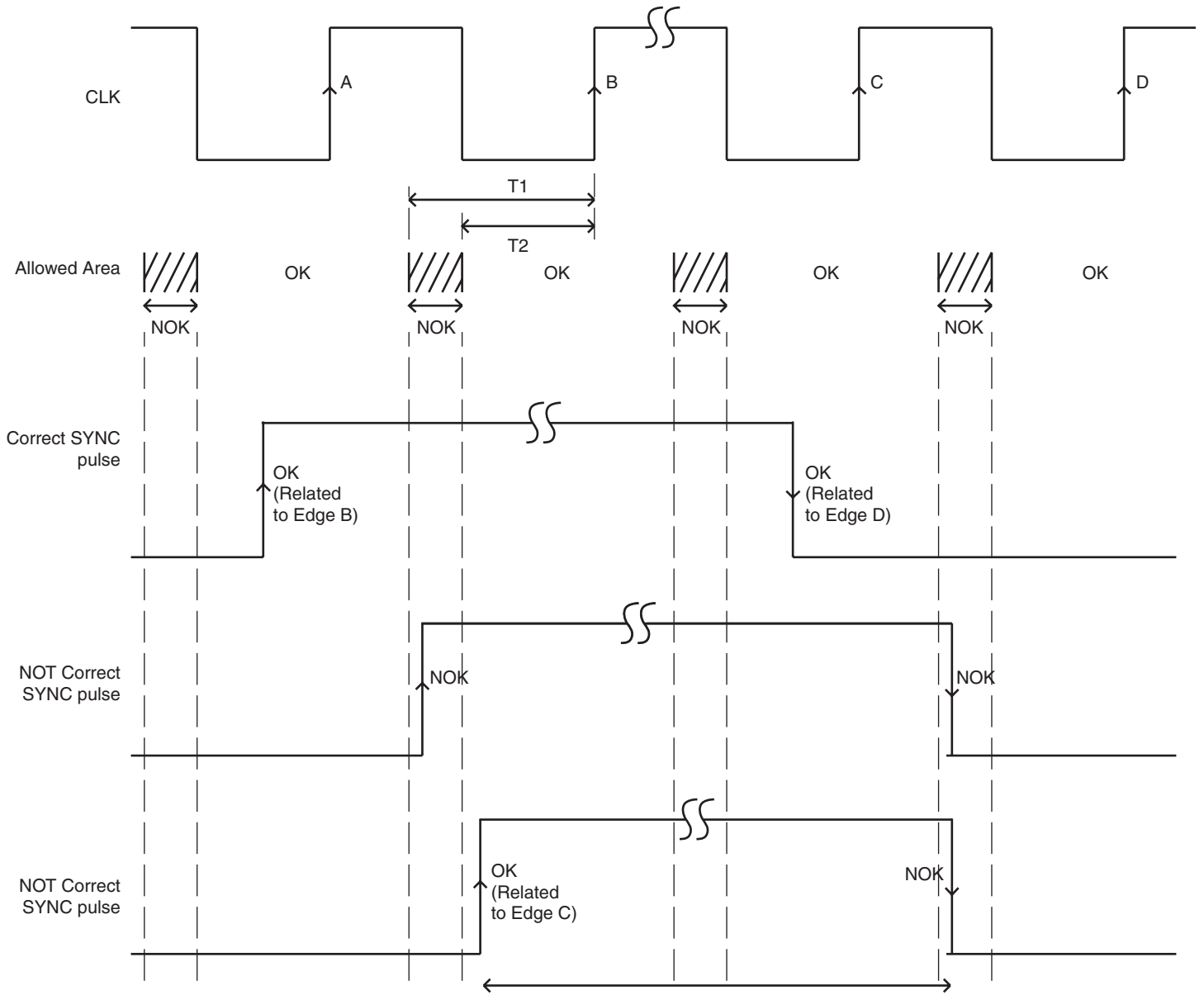


Figure 6-3. ADC SYNC Timing Condition



6.3 Digital Scan Mode (SCAN[2:0])

These signals allow to perform a scan of the digital part of the ADC.

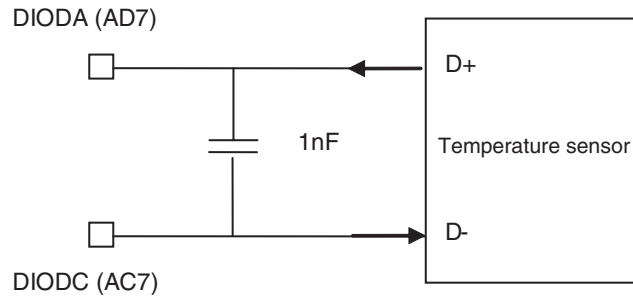
For e2v use only.

Pull up to V_{CC} .

6.4 Die Junction Temperature Monitoring Diode

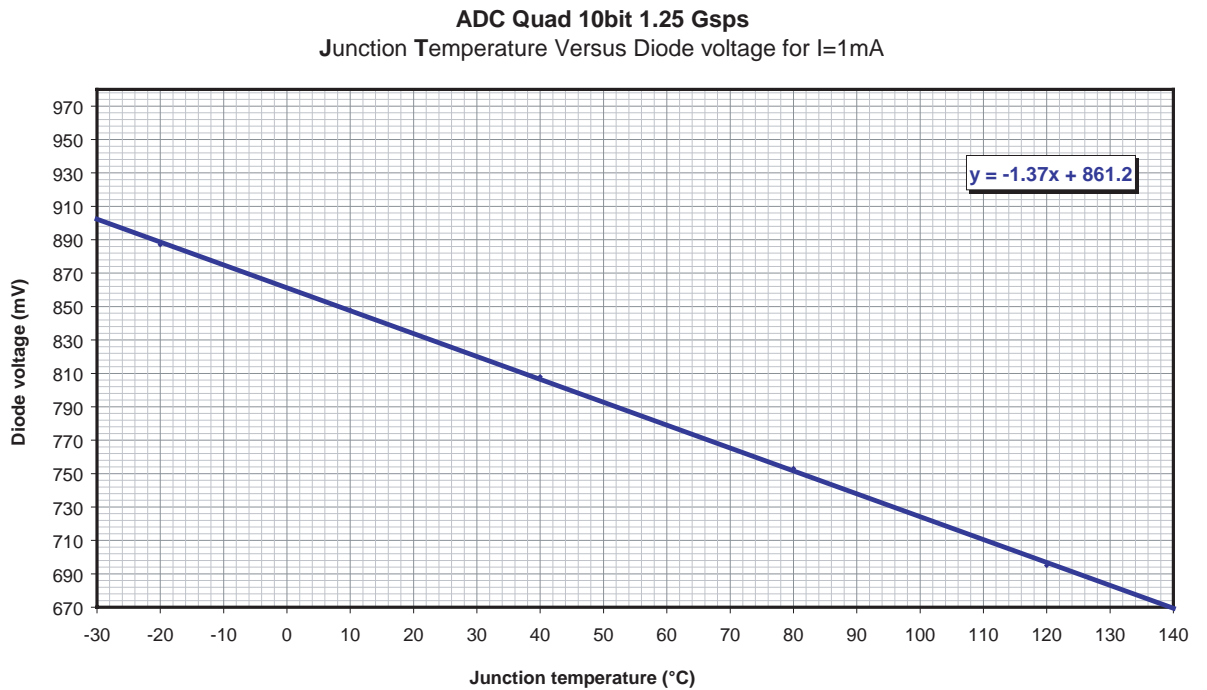
DIODA, DIODC: two pins are provided so that the diode can be probed using standard temperature sensors.

Figure 6-4. Junction Temperature Monitoring Diode System



Note: If the diode function is not used, DIODA and DIODC can be left unconnected (open).

Figure 6-5. Junction Temperature versus Diode Voltage for $I = 1\text{ mA}$



6.5 Res50 and Res62

The Res50 and Res62 correspond to the input of internal 50Ω and 62Ω reference resistors that are used to check the process deviation.

The idea is to inject a current into pin Res50, measure the voltage across Res50 and nearest ground pin (AD19), same process should be used for Res62.

You then have two equations with two unknown parameters:

$$\text{Res50} = k \times 50 + e1$$

$$\text{Res62} = k \times 62 + e2$$

- Where k is due to the process
- Where e1 and e2 are due to the measurement errors

Assuming that $e1 = e2$ since the same process is used to measure both Res50 and Res62 in the same conditions, you can obtain the k factor by working out this equation, which helps you determine if you need to compensate for the process by increasing or decreasing the resistors value (TRIMMER register at address 0x13) of the input resistors (there are two 50Ω resistors per analog input channel).

Note: If the Res50, Res62 function is not used, Res50 and Res62 can be left unconnected (open).

The two pins Res62 and Res50 are for checking the actual centering of the process.

The two point measurement reduces measurement errors. Since the current circulating through ground in normal operation is about 1.25A, a shift of 10mV on the pins RES62 and RES50 is consistent.

One way to get rid of the shift in IR-drop to ground when measuring RES62 of RES50 at actual operational temperature is to use a two step measurement (circuit being normally powered):

1. Measure the voltage of these two pins regarding board ground without injecting any current (yields $V_{\text{res62_0mA}}$ and $V_{\text{res50_0mA}}$, which should be at the same value: the actual ground level in die)
2. Measure the voltage of these two pins regarding board ground injecting sequentially 2mA in these pins this yields $V_{\text{res62_2ma}}$ and $V_{\text{res50_2mA}}$

Subtracting the actual resistance would then yield $R62 = (V_{\text{res62_2mA}} - V_{\text{res62_0mA}}) / 2\text{mA}$ and $\text{measR50} = (V_{\text{res50_2mA}} - V_{\text{res50_0mA}}) / 2\text{mA}$. This should minimize the systematic error.

Note: When computing the systematic error an accumulated misreading of $\pm 0.1\Omega$ on measR50 and measRes62 can lead to a fluctuation of $\pm 1\Omega$ in the estimation of the systematic error “e” (for obvious physical reasons “e” cannot be negative, because it represents parasitic resistance between the measure resistor and the measurement apparatus), and of fluctuation of ± 0.01666 in the estimation of “k”.

The measurement of actual input resistance is somehow easier since we have access to both terminals, but of course due to the trimming system this measurement must be performed with the ADC powered.

Performing the measurement as described above should reduce the discrepancy between computed value and measured value for input impedance (all resistors are now measured at similar temperatures).

Due to extra routing between pad and termination resistor for analog inputs the measured differential value should be $\sim 2\Omega$ above the computed value. As a consequence we should revise the formula for input impedance given in section [Section 6.6.14](#) as follows:

The trimming is meant to compensate for die process deviation (accepted value by foundry is $\pm 15\%$), after trimming it is always possible to reach the 50Ω (100Ω differential) value $\pm 2\%$ which is consistent with accepted tolerance of discrete passive devices.

When the die process is well centered (that is when k is close enough to 1) no trimming is necessary (default programming is OK) except if due to PCB process issues the actual input trace impedance deviates significantly from 50Ω and need to be matched internally.

The same trimming value should be applied for parts yielding the same measured values for RES62 and RES50.

6.6 Quad ADC Digital Interface (SPI)

The digital interface will be a 3-wire SPI style (3.3V CMOS pads, 1.8V core) with:

- 8 bits for the address A[7] to A[0] including a R/W bit (A[7] = R/W and is the MSB)
- 16 bits of data D[15] to D[0] with D[15] the MSB.

Five signals are required:

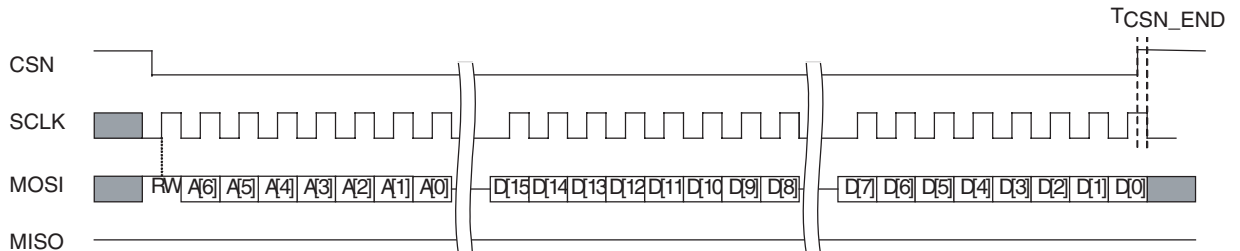
- RSTN for the SPI reset
- SCLK for the SPI clock
- CSN for the chip select
- MISO for the Master In Slave Out SPI Output (MISO should be pulled up to V_{CC} using 1K - 3K3 resistor; also MISO does not conform to full SPI specification and is not tristated when inactive. For full details, refer to EV10AQ190 Application Note.
- MOSI for the Master Out Slave In SPI Input

The MOSI sequence should start with one R/W bit:

- R/W = “0” is a read procedure
- R/W = “1” is a write procedure

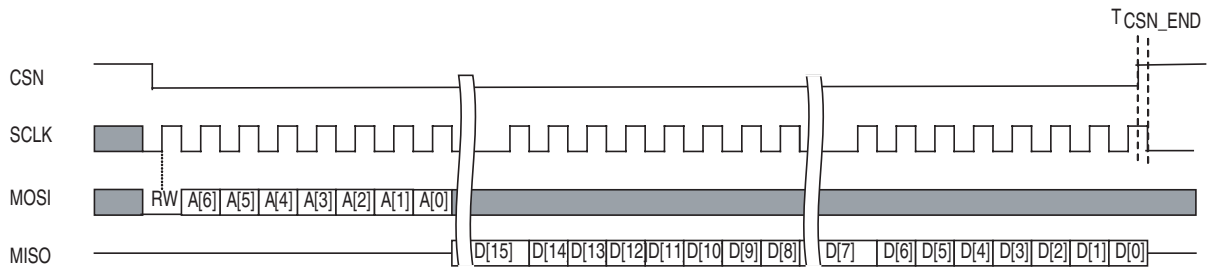
6.6.1 Timings

Figure 6-6. Register Write to a 16-bit Register



Note: Last falling edge of sclk should occur only once csn is back to high level at the end of the write procedure.

Figure 6-7. Register Read from a 16-bit Register



$$T_{CSN_END} = T_{SCLK}/4 = 12.5 \text{ ns}^{(3)}$$

Table 6-2. Timing Characteristics

Pin	Max Frequency	Setup ⁽¹⁾	Hold ⁽¹⁾	TPD Propagation Time
SCLK	20 MHz			
CSN (to SCLK) (see note 2)		1 ns	1 ns	
MOSI (to SCLK)		1.2 ns	1.0 ns	
MISO (to SCLK)				min 1.5 ns/max 4 ns

- Notes:
1. First value is in *minimum conditions*, second value is in *maximum conditions*.
 2. Setup/Hold to both SCLK edges.
 3. Last falling edge of sclk should occur once csn is set to 1, due to an internal operation.

6.6.2 Digital Reset (RSTN)

This is a global Reset for the SPI.

It is active low.

There are two methods to reset the Quad 10-bit 1.25 Gbps ADC:

- By asserting low the rstn primary pad (hardware reset)
- By writing A 1 In the bit swreset of the swreset register through the spi (software reset)

Both methods will clear *all* configuration registers to their reset values.

6.6.3 Registers Description

Table 6-3. Registers Mapping

Address	Label	Description	R/W	Default Setting
Common Registers				
0x00	Chip ID	Chip ID and version	Read only	0x0418 (EV10AQ190xTPY) 0x041C (EV10AQ190AxTPY)
0x01	Control Register	ADC mode (channel mode) Standby Binary/Gray Test Mode ON/OFF Bandwidth Selection Reset Mode (RM)	R/W	Four-channel mode (1.25 Gsps) No standby Binary coding Test mode OFF Nominal bandwidth Locked during SYNC
0x02	STATUS	Status register	Read Only	
0x04	SWRESET	Software SPI reset	R/W	No reset
0x05	TEST	Test Mode	R/W	Test Pattern = ramp
0x06	SYNC	Programmable delay on ADC Data Ready after Reset XDR, XDRN (4 bits), with X = A, B, C, D	R/W	0 extra clock cycle
0x0F	Channel Select	Channel X Selection	R/W	0x0000
Per Channel Registers (X=A/B/C/D)				
0x10	Cal Ctrl X	Calibration control register of channel X	R/W	
0x11	Cal Ctrl X Mlbx	Status/Busy of current calibration of Channel X	Read only (poll)	
0x12	Status X	Global Status of channel X	Read Only	
0x13	Trimmer X	Impedance trimmer of channel X	R/W	0x07
0x20	Ext Offset X	External Offset Adjustment of Channel X	R/W	0 LSB
0x21	Offset X	Offset Adjustment of Channel X	Read Only	0 LSB
0x22	Ext Gain X	External Gain Adjustment of Channel X	R/W	0 dB
0x23	Gain X	Gain Adjustment of Channel X	Read Only	0 dB
0x24	Ext Phase X	External Phase Adjustment of Channel X	R/W	0 ps
0x25	Phase X	Phase Adjustment of Channel X	Read Only	0 ps

- Notes:
1. All registers are 16-bits long.
 2. The *external* gain/offset/phase adjustment registers correspond to the registers where one can write the external values to calibrate the gain/offset/phase parameters of the ADCs. The Gain/offset/phase adjustment registers are read only registers. They provide you with the internal settings for the gain/offset/phase parameters. The *external* and read only adjustment registers should give the same results two by two once any calibration has been performed.

6.6.4 Chip ID Register (Read Only)

Table 6-4. Chip ID Register Mapping: Address 0x00

Bit 15	Bit 14	Bit 13	Bit 12	Bit 11	Bit 10	Bit 9	Bit 8	Bit 7	Bit 6	Bit 5	Bit 4	Bit 3	Bit 2	Bit 1	Bit 0
TYPE								BRANCH<3:0>				VERSION<3:0>			

Table 6-5. Chip ID Register Description

Bit label	Value	Description	Default Setting
VERSION <3:0>	0100	Version Number	See (Note:)
BRANCH<3:0>	0001	Branch Number	
TYPE<7:0>	00001000	Chip Type	

Note: 0x0418 = EV10AQ190xTPY, 0x041C = EV10AQ190AxTPY where x is for the C or V grade.

6.6.5 Control Register

Table 6-6. Control Register Mapping: address 0x01

Bit 15	Bit 14	Bit 13	Bit 12	Bit 11	Bit 10	Bit 9	Bit 8	Bit 7	Bit 6	Bit 5	Bit 4	Bit 3	Bit 2	Bit 1	Bit 0
Unused<1:0>		0	TEST	0	RM	Unused	BDW	B/G	Unused	STDBY <1:0>		ADCMODE <3:0>			

Table 6-7. Control Register Description

Bit label	Value	Description	Default Setting
ADCMODE <3:0>	00XX	Four-channel mode (1.25 Gsps per channel)	0000 Four-channel mode
	0100	Two-channel mode (channel A and channel C, 2.5 Gsps per channel)	
	0101	One-channel mode (channel B and channel C, 2.5 Gsps per channel)	
	0110	Two-channel mode (channel A and channel D, 2.5 Gsps per channel)	
	0111	Two-channel mode (channel B and channel D, 2.5 Gsps per channel)	
	1000	One-channel mode (channel A, 5 Gsps)	
	1001	One-channel mode (channel B, 5 Gsps)	
	1010	One-channel mode (channel C, 5 Gsps)	
	1011	One-channel mode (channel D, 5 Gsps)	
	1100	Common input mode, simultaneous sampling (channel A)	
	1101	Common input mode, simultaneous sampling (channel B)	
	1110	Common input mode, simultaneous sampling (channel C)	
	1111	Common input mode, simultaneous sampling (channel D)	

Table 6-7. Control Register Description (Continued)

STDBY <1:0>	00	Full Active Mode	00 Full active mode
	01	Standby channel A/channel B: - if four-channel mode selected then standby of channel A and B - if two-channel mode selected then standby of channel A or B - if one-channel mode selected then full standby - if Common input mode selected then full standby	
	10	Standby channel C/channel D - if four-channel mode selected then standby of channel C and D - if two-channel mode selected then standby of channel C or D - if one-channel mode selected then full standby - if common input mode selected then full standby	
	11	Full standby	
B/G	0	Binary	0
	1	Gray	Binary coding
BDW	0	Nominal bandwidth (1 GHz typical)	0
	1	Full bandwidth	Nominal bandwidth
TEST	0	No Test Mode	0
	1	Test Mode Activated, Refer to the Test register	No test mode
RM ⁽¹⁾	0	Internal clocks does not toggle, while SYNC is active	0
	1	Mode without STOP of internal clocks & DataREADY while SYNC is active	

- Notes:
1. This mode is not available on the EV10AQ190xTPY revision.
 2. In application using RM = 1, only codes from SYNC[0001] to SYNC[1111] are allowed.

Table 6-8. Control Register Settings (Address 0x01: Bit7 to Bit0)

Description	Bit 7	Bit 6	Bit 5	Bit 4	Bit 3	Bit 2	Bit 1	Bit 0
Label	B/G	Unused	STDBY <1:0>		ADCMODE <3:0>			
Four-channel mode 1.25 Gsps max per channel	X	X	X	X	0	0	X	X
Two-channel mode (channel A and channel C) 2.5 Gsps max per channel	X	X	X	X	0	1	0	0
Two-channel mode (channel B and channel C) 2.5 Gsps max per channel	X	X	X	X	0	1	0	1
Two-channel mode (channel A and channel D) 2.5 Gsps max per channel	X	X	X	X	0	1	1	0
Two-channel mode (channel B and channel D) 2.5 Gsps max per channel	X	X	X	X	0	1	1	1
One-channel mode (Channel A, 5 Gsps max)	X	X	X	X	1	0	0	0
One-channel mode (Channel B, 5 Gsps)	X	X	X	X	1	0	0	1
One-channel mode (Channel C, 5 Gsps)	X	X	X	X	1	0	1	0
One-channel mode (Channel D, 5 Gsps)	X	X	X	X	1	0	1	1
Common input mode, simultaneous sampling 1.25 Gsps max (channel A)	X	X	X	X	1	1	0	0
Common input mode, simultaneous sampling 1.25 Gsps max (channel B)	X	X	X	X	1	1	0	1
Common input mode, simultaneous sampling 1.25 Gsps max (channel C)	X	X	X	X	1	1	1	0
Common input mode, simultaneous sampling 1.25 Gsps max (channel D)	X	X	X	X	1	1	1	1
No standby	X	X	0	0	X	X	X	X
Standby channel A, channel B	X	X	0	1	X	X	X	X
Standby channel C, channel D	X	X	1	0	X	X	X	X
Full standby	X	X	1	1	X	X	X	X
Binary coding	0	X	X	X	X	X	X	X
Gray coding	1	X	X	X	X	X	X	X

Table 6-9. Control Register Settings (address 0x01): Bit15 to Bit8

Description	Bit 15	Bit 14	Bit 13	Bit 12	Bit 11	Bit 10	Bit 9	Bit 8
Label	Unused<1:0>		Reserved	TEST	Reserved	Unused	Unused	BDW
Nominal bandwidth	X	X	0	X	0	X	X	0
Full bandwidth	X	X	0	X	0	X	X	1
Test Mode OFF	X	X	0	0	0	X	X	X
Test Mode ON	X	X	0	1	0	X	X	X

Note: It is mandatory to apply a SYNCP, SYNCN signal to the ADC when the Test Mode is activated.

Table 6-10. ADCMODE and STBY Allowed Combinations

Description	Bit 7	Bit 6	Bit 5	Bit 4	Bit 3	Bit 2	Bit 1	Bit 0
Label	B/G	Unused	STDBY <1:0>		ADCMODE <3:0>			
Four-channel mode, 1.25 Gsps max No standby	X	X	0	0	0	0	X	X
Four-channel mode, 1.25 Gsps max Standby channel A, channel B	X	X	0	1	0	0	X	X
Four-channel mode, 1.25 Gsps max Standby channel C, channel D	X	X	1	0	0	0	X	X
Four-channel mode (1.25 Gsps max) Full standby	X	X	1	1	0	0	X	X
Two-channel mode, 2.5 Gsps max (channel A and C) No standby	X	X	0	0	0	1	0	0
Two-channel mode, 2.5 Gsps max (channel A and C) Standby channel A	X	X	0	1	0	1	0	0
Two-channel mode, 2.5 Gsps max (channel A and C) Standby channel C	X	X	1	0	0	1	0	0
Two-channel mode, 2.5 Gsps max (channel A and C) Full standby	X	X	1	1	0	1	0	0
Two-channel mode, 2.5 Gsps max (channel B and C) No standby	X	X	0	0	0	1	0	1
Two-channel mode, 2.5 Gsps max (channel B and C) Standby channel B	X	X	0	1	0	1	0	1
Two-channel mode, 2.5Gps max (channel B and C) Standby channel C	X	X	1	0	0	1	0	1
Two-channel mode, 2.5 Gsps max (channel B and C) Full standby	X	X	1	1	0	1	0	1
Two-channel mode, 2.5 Gsps max (channel A and D) No standby	X	X	0	0	0	1	1	0
Two-channel mode, 2.5 Gsps max (channel A and D) Standby channel A	X	X	0	1	0	1	1	0
Two-channel mode, 2.5 Gsps max (channel A and D) Standby channel D	X	X	1	0	0	1	1	0
Two-channel mode, 2.5 Gsps max (channel A and D) Full standby	X	X	1	1	0	1	1	0
Two-channel mode, 2.5Gps max (channel B and D) No standby	X	X	0	0	0	1	1	1
Two-channel mode, 2.5 Gsps max (channel B and D) Standby channel B	X	X	0	1	0	1	1	1
Two-channel mode, 2.5Gps max (channel B and D) Standby channel D	X	X	1	0	0	1	1	1
Two-channel mode, 2.5 Gsps max (channel B and D) Full standby	X	X	1	1	0	1	1	1

Table 6-10. ADCMODE and STBY Allowed Combinations (Continued)

One-channel mode (Channel A, 5 Gsps max) No Standby	X	X	0	0	1	0	0	0
One-channel mode (channel B, 5 Gsps max) No Standby	X	X	0	0	1	0	0	1
one-channel mode (Channel C, 5 Gsps max) No Standby	X	X	0	0	1	0	1	0
One-channel mode (Channel D, 5 Gsps) No Standby	X	X	0	0	1	0	1	1
One-channel mode (Channel A, 5 Gsps) Full Standby	X	X	01 or 10 or 11		1	0	0	0
One-channel mode (Channel B, 5 Gsps) Full Standby	X	X	01 or 10 or 11		1	0	0	1
One-channel mode (Channel C, 5 Gsps) Full Standby	X	X	01 or 10 or 11		1	0	1	0
One-channel mode (Channel D, 5 Gsps) Full Standby	X	X	01 or 10 or 11		1	0	1	1
Common input mode (Channel A, 1.25 Gsps) No Standby	X	X	0	0	1	1	0	0
Common input mode (Channel B, 1.25Gsps) No Standby	X	X	0	0	1	1	0	1
Common input mode (Channel C, 1.25Gsps) No Standby	X	X	0	0	1	1	1	0
Common input mode (Channel D, 1.25Gsps) No Standby	X	X	0	0	1	1	1	1
Common input mode (Channel A, 1.25Gsps) Full standby	X	X	01 or 10 or 11		1	1	0	0
Common input mode (Channel B, 1.25Gsps) Full standby	X	X	01 or 10 or 11		1	1	0	1
Common input mode (Channel C, 1.25Gsps) Full standby	X	X	01 or 10 or 11		1	1	1	0
Common input mode (Channel D, 1.25Gsps) Full standby	X	X	01 or 10 or 11		1	1	1	1

6.6.6 STATUS Register (Read Only)

Table 6-11. STATUS Register Mapping: Address 0x02

Bit 15	Bit 14	Bit 13	Bit 12	Bit 11	Bit 10	Bit 9	Bit 8	Bit 7	Bit 6	Bit 5	Bit 4	Bit 3	Bit 2	Bit 1	Bit 0
Unused												ADCXUP<3:0>			

Table 6-12. STATUS Register Description

Bit label	Value	Description	Default Setting
ADCXUP<3:0>	XXX0	ADC A standby	1111
	XXX1	ADC A active	
	XX0X	ADC B standby	
	XX1X	ADC B active	
	X0XX	ADC C standby	
	X1XX	ADC C active	
	0XXX	ADC D standby	
	1XXX	ADC D active	

6.6.7 SWRESET Register

Table 6-13. SWRESET Register Mapping: address 0x04

Bit 15	Bit 14	Bit 13	Bit 12	Bit 11	Bit 10	Bit 9	Bit 8	Bit 7	Bit 6	Bit 5	Bit 4	Bit 3	Bit 2	Bit 1	Bit 0
Unused															SWRESET

Table 6-14. SWRESET Register Description

Bit label	Value	Description	Default Setting
SWRESET	0	No Software Reset	0
	1	Unconditional Software Reset (see Note)	No software reset

Note: Global Software Reset will reset ALL design registers (configuration registers as well as any flip-flop in the digital part of the design). This bit is automatically reset to 0 after some ns. There is no need to clear it by an external access.

6.6.8 TEST Register

Table 6-15. TEST Register Mapping: address 0x05

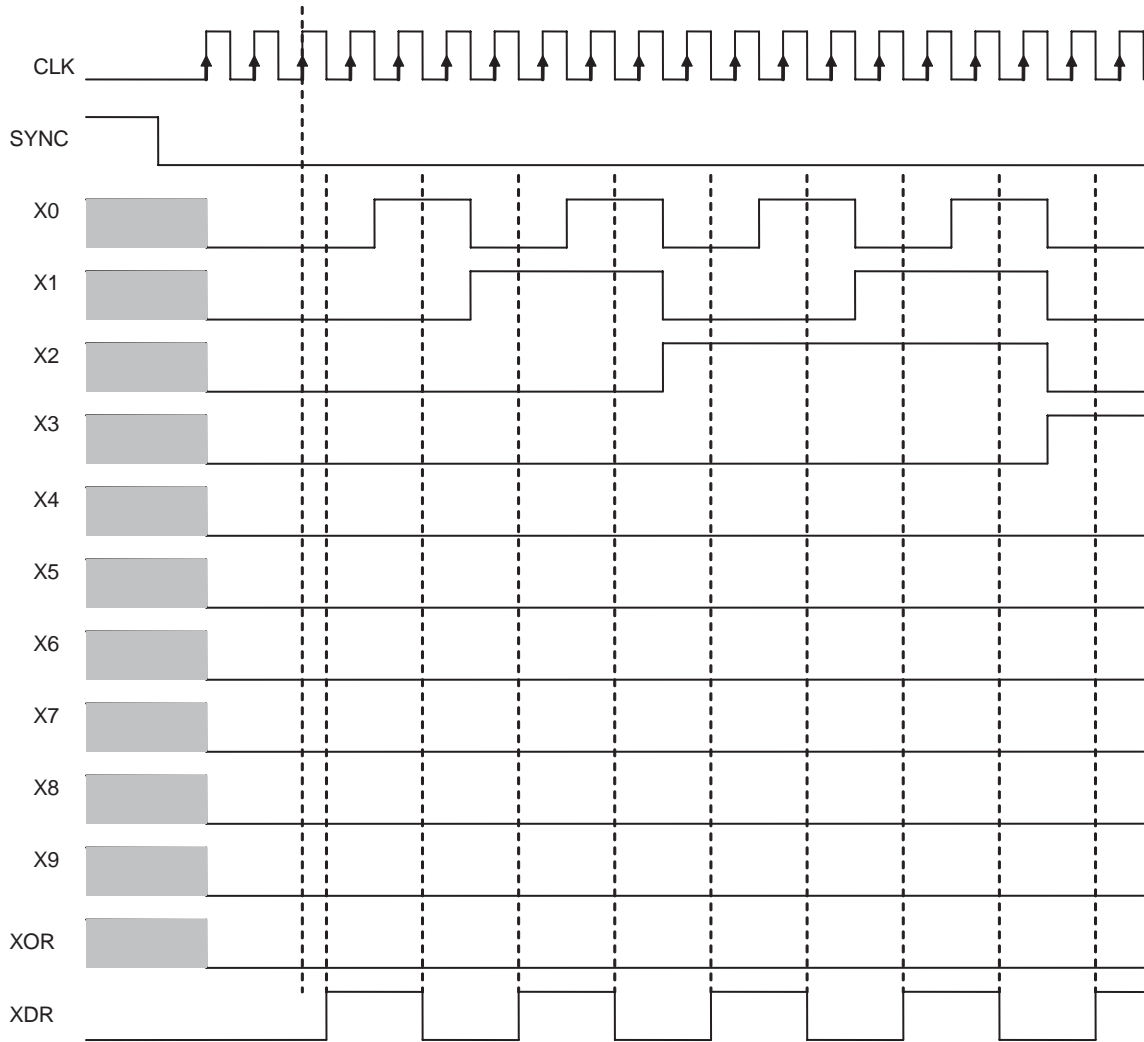
Bit 15	Bit 14	Bit 13	Bit 12	Bit 11	Bit 10	Bit 9	Bit 8	Bit 7	Bit 6	Bit 5	Bit 4	Bit 3	Bit 2	Bit 1	Bit 0
Unused									Unused		"00"		FlashM		TESTM

Table 6-16. TEST Register Description

Bit label	Value	Description	Default Setting
TESTM	0	Increasing (simultaneous) ramp 11bit (0 up to 2047)	0 Increasing ramp
	1	Flashing mode (refer to Bit 1 and Bit 2 to select the flashing 1 period)	
FlashM	00	Flashing 11 mode = 1 (7 FF pattern every ten 00 patterns) on each ADC	00 Flashing 11 mode
	01	Flashing 12 mode = 1 (7 FF pattern every eleven 00 patterns) on each ADC	
	10	Flashing 16 mode = 1 (7 FF pattern every fifteen 00 patterns) on each ADC	

- Notes:
1. TESTM is taken into account only if bit12 (TEST) of Control register (address 0x01) is at 1.
 2. It is mandatory to apply a SYNCP, SYNCN signal to the ADC when the Test Mode is activated.
 3. When Bit 0 is set to 1, it is necessary to choose the flashing 1 period (11, 12 or 16) using Bit 1 and bit 2. The default flashing mode is the one with 11 period.
 4. Flashing mode 7FF pattern on 11bit (Out of range bit + data 10-bit).
 5. Ramp mode: 11 bit (Out of range bit + data 10-bit).

Figure 6-8. Ramp Mode



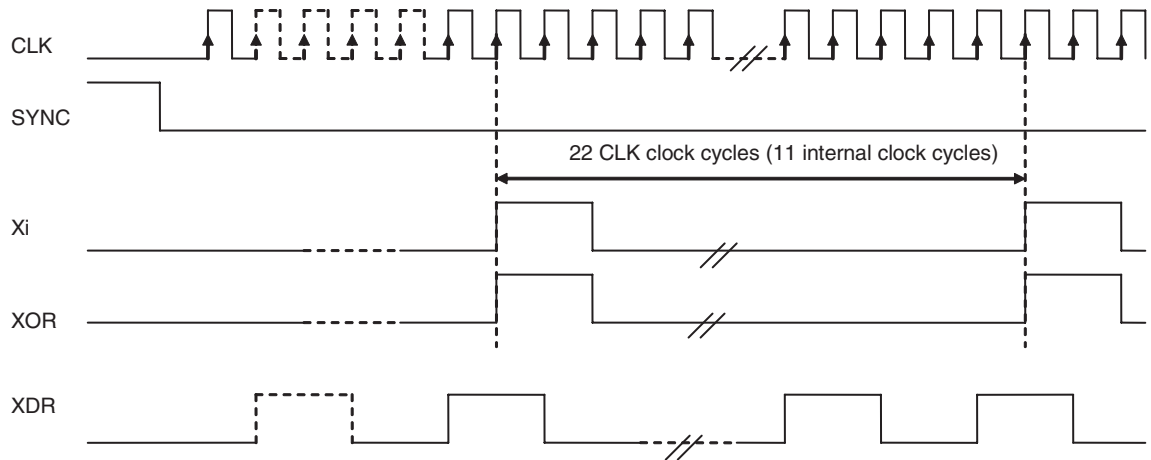
- Notes:
1. X = A, B, C or D
 2. When the ramp Test mode is activated and during reset, the outputs stay at the value before reset. After reset, the ramp starts either with code 0 or code 256 depending on the clock frequency. After reset, the first 3 to 4 clock pulses may not be correct depending on the clock frequency.

Table 6-17. Ramp Mode Coding (Binary Counting)

XOR	X9	X8	X7	X6	X5	X4	X3	X2	X1	X0
0	0	0	0	0	0	0	0	0	0	0
0	0	0	0	0	0	0	0	0	0	1
0	0	0	0	0	0	0	0	0	1	0
0	0	0	0	0	0	0	0	0	1	1
0	0	0	0	0	0	0	0	1	0	0
0	0	0	0	0	0	0	0	1	0	1
...										
1	1	1	1	1	1	1	1	1	0	1
1	1	1	1	1	1	1	1	1	1	0
1	1	1	1	1	1	1	1	1	1	1
0	0	0	0	0	0	0	0	0	0	0

Note: X = A, B, C or D

Figure 6-9. Flashing Mode (11 Mode)



- Notes:
1. X = A, B, C or D
 2. i = 0, 1, 2 ..., 8, 9
 3. In flashing 12 and 16 modes, 11 internal clock cycles becomes 12 and 16 respectively.

Table 6-18. Flashing Mode Coding (11 mode)

Cycle	XOR	X9	X8	X7	X6	X5	X4	X3	X2	X1	X0
N	1	1	1	1	1	1	1	1	1	1	1
N+1	0	0	0	0	0	0	0	0	0	0	0
N+2	0	0	0	0	0	0	0	0	0	0	0
N+3	0	0	0	0	0	0	0	0	0	0	0
N+4	0	0	0	0	0	0	0	0	0	0	0
N+5	0	0	0	0	0	0	0	0	0	0	0
N+6	0	0	0	0	0	0	0	0	0	0	0
N+7	0	0	0	0	0	0	0	0	0	0	0
N+8	0	0	0	0	0	0	0	0	0	0	0
N+9	0	0	0	0	0	0	0	0	0	0	0
N+10	0	0	0	0	0	0	0	0	0	0	0
N+11	1	1	1	1	1	1	1	1	1	1	1
N+12	0	0	0	0	0	0	0	0	0	0	0

Note: X = A, B, C or D

6.6.9 SYNC Register Mapping

Table 6-19. SYNC Register Mapping: Address 0x06

Bit 15	Bit 14	Bit 13	Bit 12	Bit 11	Bit 10	Bit 9	Bit 8	Bit 7	Bit 6	Bit 5	Bit 4	Bit 3	Bit 2	Bit 1	Bit 0
Unused												SYNC<3:0>			

Table 6-20. SYNC Register Description

Bit label	Value	Description	Default Setting
SYNC<3:0>	0000	0 extra external clock cycle (CLK) before starting up	0000 ⁽¹⁾ 0 Clock Cycle
	0001	1 extra external clock cycle (CLK) before starting up	
	
	1111	15 extra external clock cycles (CLK) before starting up	

Note: 1. In application using RM = 1, only codes from SYNC[0001] to SYNC[1111] are allowed.

6.6.10 CHANNEL SELECTOR Register

Table 6-21. CHANNEL SELECTOR Register Mapping: address 0x0F

Bit 15	Bit 14	Bit 13	Bit 12	Bit 11	Bit 10	Bit 9	Bit 8	Bit 7	Bit 6	Bit 5	Bit 4	Bit 3	Bit 2	Bit 1	Bit 0
Unused													Channel Selector <2:0>		

Table 6-22. CHANNEL SELECTOR Register Description

Bit Label	Value	Description	Default Setting
Channel Selector <2:0>	000	No channel selected (only common registers are accessible)	000 No channel selected
	001	Channel A selected to access to <i>per-channel</i> registers	
	010	Channel B selected to access to <i>per-channel</i> registers	
	011	Channel C selected to access to <i>per-channel</i> registers	
	100	Channel D selected to access to <i>per-channel</i> registers	
	Any others	No channel selected (only common registers are accessible)	

Note: The CHANNEL SELECTOR register should be set before any access to *per-channel* registers in order to determine which channel is targeted.

6.6.11 CAL Control Registers

Applies to CAL Control registers A, B, C and D according to CHANNEL SELECTOR register contents.

Table 6-23. CAL Control Register Mapping: address 0x10

Bit 15	Bit 14	Bit 13	Bit 12	Bit 11	Bit 10	Bit 9	Bit 8	Bit 7	Bit 6	Bit 5	Bit 4	Bit 3	Bit 2	Bit 1	Bit 0
Unused								PCALCTRL X <1:0>	GCALCTRL X <1:0>	OCALCTRL X <1:0>	"00"				

Table 6-24. CAL Control Register Description

Bit Label	Value	Description	Default Setting
OCALCTRL X <1:0>	00	Idle mode for selected channel	00
	01	Idle mode for selected channel	
	10	External Offset adjust for selected channel (transfer of Ext Offset register content into current Offset register)	
	11	Idle mode for selected channel	
GCALCTRL X <1:0>	00	Idle mode for selected channel	00
	01	Idle mode for selected channel	
	10	External Gain adjust for selected channel (transfer of Ext Gain register content into current Gain register)	
	11	Idle mode for selected channel	
PCALCTRL X <1:0>	00	Idle mode for selected channel	00
	01	Idle mode for selected channel	
	10	External Phase adjust for selected channel (transfer of Ext Phase register content into current Phase register)	
	11	Idle mode for selected channel	

- Notes:
- Writing to the register will start the corresponding operation(s). In that case, the Status/Busy bit of the mailbox (see below) is asserted until the operation is over. (At the end of a calibration/tuning process, CAL Control register relevant bit slice is NOT reset to default value.)
 - If different calibrations are ordered, they are performed successively following the priority order defined hereafter.
 - Gain has priority over Offset, and Phase
 - Offset has priority over Phase
 Indeed, the transfer function of the ADC is given by the following formula transfer function result = offset + (input gain).

6.6.12 CAL Control Registers Mailbox (Read Only)

Applies to CAL Control Registers Mailbox A, B, C and D according to CHANNEL SELECTOR register contents.

Table 6-25. CAL Control Registers Mailbox Register Mapping: address 0x11

Bit 15	Bit 14	Bit 13	Bit 12	Bit 11	Bit 10	Bit 9	Bit 8	Bit 7	Bit 6	Bit 5	Bit 4	Bit 3	Bit 2	Bit 1	Bit 0
Unused<12:0>														STATUS/ BUSY X	

6.6.13 GLOBAL STATUS Register (Read Only)

Applies to GLOBAL STATUS registers A, B, C and D according to CHANNEL SELECTOR register contents.

Table 6-26. GLOBAL STATUS Register Mapping: address 0x12

Bit 15	Bit 14	Bit 13	Bit 12	Bit 11	Bit 10	Bit 9	Bit 8	Bit 7	Bit 6	Bit 5	Bit 4	Bit 3	Bit 2	Bit 1	Bit 0
Unused															STBY X

Table 6-27. GLOBAL STATUS Register Description

Bit label	Value	Description	Default Setting
STBY X	0	Selected Channel is in standby	0
	1	Selected Channel is active	

6.6.14 TRIMMER Register

Applies to TRIMMER registers A, B, C and D according to CHANNEL SELECTOR register contents

Table 6-28. TRIMMER Register Mapping: address 0x13

Bit 15	Bit 14	Bit 13	Bit 12	Bit 11	Bit 10	Bit 9	Bit 8	Bit 7	Bit 6	Bit 5	Bit 4	Bit 3	Bit 2	Bit 1	Bit 0
Unused												TRIMMER X <3:0>			

Table 6-29. TRIMMER Register Description

Bit Label	Value	Description	Default Setting
TRIMMER X <3:0>	0000	+10.00Ω	0111 50Ω
	0001	+8.34Ω	
	0010	+6.77Ω	
	0011	+5.29Ω	
	0100	+3.89Ω	
	0101	+2.57Ω	
	0110	+1.31Ω	
	0111	+0.11Ω	
	1000	-1.03Ω	
	1001	-2.12Ω	
	1010	-3.15Ω	
	1011	-4.14Ω	
	1100	-5.09Ω	
	1101	-5.99Ω	
	1110	-6.86Ω	
	1111	-7.69Ω	

Note: $R = 3 + (114 / [2 + 0.06 \times (8 \times \text{bit3} + 4 \times \text{bit2} + 2 \times \text{bit1} + 1 \times \text{bit0})])$ - the practical results (simulated) are not exactly the ones given above.

6.6.15 External Offset Registers

Apply to External Offset Registers A, B, C and D according to CHANNEL SELECTOR register contents.

Table 6-30. External Offset Control Register Mapping: address 0x20

Bit 15	Bit 14	Bit 13	Bit 12	Bit 11	Bit 10	Bit 9	Bit 8	Bit 7	Bit 6	Bit 5	Bit 4	Bit 3	Bit 2	Bit 1	Bit 0
Unused						EXTERNAL OFFSET X <9:0> ⁽¹⁾⁽²⁾⁽³⁾									

Table 6-31. External Offset Control Register Description

Bit label	Value	Description	Default Setting
EXTERNAL OFFSET X<9:0>	0x000	Maximum positive offset applied	0x200 0 LSB Offset
	0x1FF	Minimum positive offset applied	
	0x200	Minimum negative offset applied	
	0x3FF	Maximum negative offset applied	

- Notes:
1. Offset variation range: $\sim\pm 40$ LSB, 1024 steps.
 2. Current offset of the selected channel is controlled by the External Offset Control Register but is updated only upon request placed through the SPI in the CAL control register of the selected channel.
 3. The transfer function of the ADC is given by the following formula transfer function result = offset + (input gain).

6.6.16 Offset Registers (Read Only)

Apply to Offset Registers A, B, C and D according to CHANNEL SELECTOR register contents.

Table 6-32. Offset Control Register Mapping: address 0x21

Bit 15	Bit 14	Bit 13	Bit 12	Bit 11	Bit 10	Bit 9	Bit 8	Bit 7	Bit 6	Bit 5	Bit 4	Bit 3	Bit 2	Bit 1	Bit 0
Unused						OFFSET X <9:0> (See Notes)									

Table 6-33. Offset Control Register Description

Bit Label	Value	Description	Default Setting
OFFSET X <9:0>	0x000	Maximum positive offset applied	0x200 0 LSB Offset
	0x1FF	Minimum positive offset applied	
	0x200	Minimum negative offset applied	
	0x3FF	Maximum negative offset applied	

- Notes:
1. Offset variation range: $\sim\pm 40$ LSB, 1024 steps.
 2. Current offset of the selected channel is controlled by the External Offset Control Register but is updated only upon request placed through the SPI in the CAL control register of the selected channel.
 3. The transfer function of the ADC is given by the following formula transfer function result = offset + (input gain).

6.6.17 External Gain Control Registers

Apply to External Gain Control registers A, B, C and D according to CHANNEL SELECTOR register contents.

Table 6-34. External Gain Control Register Mapping: address 0x22

Bit 15	Bit 14	Bit 13	Bit 12	Bit 11	Bit 10	Bit 9	Bit 8	Bit 7	Bit 6	Bit 5	Bit 4	Bit 3	Bit 2	Bit 1	Bit 0
Unused						EXTERNAL GAIN X <9:0> ⁽¹⁾⁽²⁾⁽³⁾									

Table 6-35. External Gain Control Register Description

Bit Label	Value	Description	Default Setting
EXTERNAL GAIN X <9:0>	0x000	Gain shrunk to min accessible value	0x200 0 dB gain
	0x200	Gain at Default value (no correction, actual gain follow process scattering)	
		
	0x3FF	Gain Increased to max accessible value	

- Notes:
1. Gain variation range: $\sim\pm 10\%$, 1024 steps (1 step $\sim 0.02\%$).
 2. Current gain of the selected channel is controlled by the External Gain Control Register but is updated only upon request placed through the SPI in the CAL control register of the selected channel.
 3. The transfer function of the ADC is given by the following formula transfer function result = offset + (input gain).

6.6.18 Gain Control Registers (Read Only)

Apply to Gain Control registers A, B, C and D according to CHANNEL SELECTOR register contents.

Table 6-36. Gain Control Register Mapping: address 0x23

Bit 15	Bit 14	Bit 13	Bit 12	Bit 11	Bit 10	Bit 9	Bit 8	Bit 7	Bit 6	Bit 5	Bit 4	Bit 3	Bit 2	Bit 1	Bit 0
Unused						GAIN X <9:0> (See Notes)									

Table 6-37. Gain Control Register Description

Bit label	Value	Description	Default Setting
GAIN X <9:0>	0x000	Gain shrunk to min accessible value	0x200
	0x200	Gain at Default value (no correction, actual gain follow process scattering)	
		
	0x3FF	Gain Increased to max accessible value	

- Notes:
1. Gain variation range: $\sim\pm 10\%$, 1024 steps (1 step $\sim 0.02\%$).
 2. Current gain of the selected channel is controlled by the External Gain Control Register but is updated only upon request placed through the SPI in the CAL control register of the selected channel.
 3. The transfer function of the ADC is given by the following formula transfer function result = offset + (input x gain).

6.6.19 External Phase Registers

Apply to phase registers A, B, C and D according to CHANNEL SELECTOR register contents.

Table 6-38. External Phase Register Mapping: address 0x24

Bit 15	Bit 14	Bit 13	Bit 12	Bit 11	Bit 10	Bit 9	Bit 8	Bit 7	Bit 6	Bit 5	Bit 4	Bit 3	Bit 2	Bit 1	Bit 0
Unused						EXTERNAL PHASE X <9:0> ⁽¹⁾⁽²⁾									

Table 6-39. Table External Offset Control Register Description

Bit Label	Value	Description	Default Setting
EXTERNAL PHASE X <9:0>	0x000	~ -15ps correction on selected channel aperture Delay	0x200 0ps correction on ADC X aperture Delay
		
	0x3FF	~ +15ps correction on selected channel aperture Delay	

- Notes:
1. Delay control range for edges of internal sampling clocks: $\sim\pm 15$ ps (1 step ~ 30 fs).
 2. Actual Aperture Delay of the selected channel is controlled by the External Phase Control Register but is updated only upon request placed through the SPI in the CAL control register of the selected channel.

6.6.20 Phase Registers (Read Only)

Apply to Phase Registers A, B, C and D according to CHANNEL SELECTOR register contents.

Table 6-40. Phase Register Mapping: address 0x25

Bit 15	Bit 14	Bit 13	Bit 12	Bit 11	Bit 10	Bit 9	Bit 8	Bit 7	Bit 6	Bit 5	Bit 4	Bit 3	Bit 2	Bit 1	Bit 0
Unused						PHASE X <9:0> (See Notes)									

Table 6-41. Phase Control Register Description

Bit Label	Value	Description	Default Setting
PHASE X <9:0>	0x000	~ -15ps correction on selected channel aperture Delay	0x200 0ps correction on ADC X aperture Delay
		
	0x3FF	~ +15ps correction on selected channel aperture Delay	

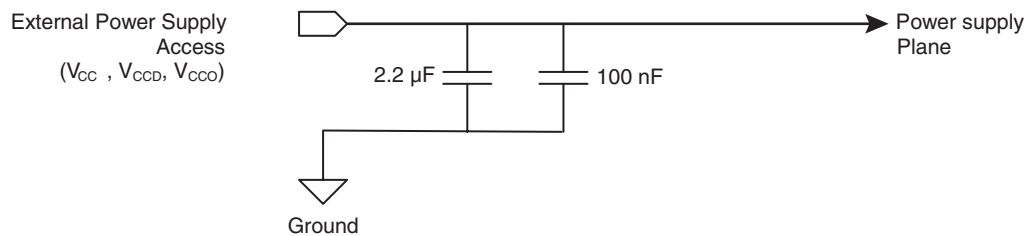
- Notes:
1. Delay control range for edges of internal sampling clocks: $\sim\pm 15$ ps (1 step ~ 30 fs).
 2. Actual Aperture Delay of the selected channel is controlled by the External Phase Control Register but is updated only upon request placed through the SPI in the CAL control register of the selected channel.

7. Application Information

7.1 Bypassing, Decoupling and Grounding

All power supplies should be decoupled to ground as close as possible to the signal accesses to the board by 2.2 μF in parallel to 100 nF.

Figure 7-1. EV10AQ190A Power supplies Decoupling and grounding Scheme

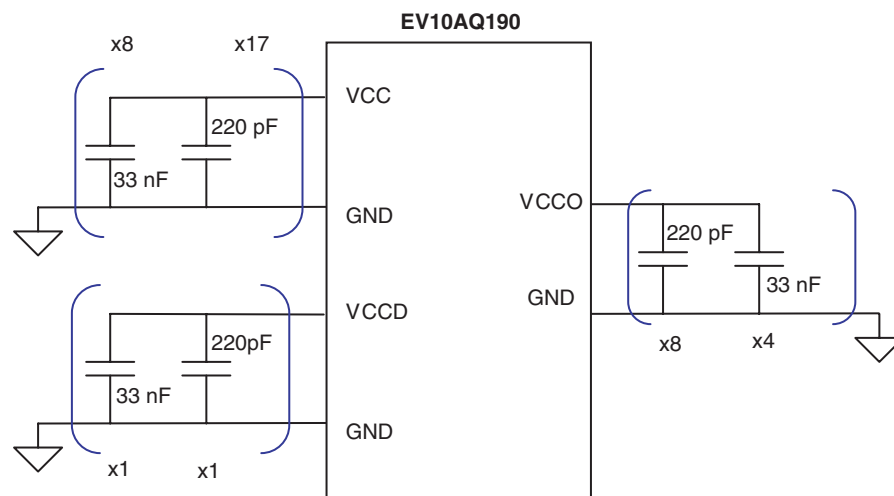


Note: V_{CCD} and V_{CCO} planes should be separated but the two power supplies can be reunited by a strap on the board.

It is recommended to decouple all power supplies to ground as close as possible to the device balls with 220 pF in parallel to 33nF capacitors. The minimum number of decoupling pairs of capacitors can be calculated as the minimum number of groups of neighboring pins. Seventeen capacitors of 220 pF and 8 capacitors of 33nF for V_{CC} ; 8 capacitors of 220 pF and 4 capacitors of 33 nF for V_{CCO} and 220 pF capacitor with 33 nF capacitor for V_{CCD} .

For full details please refer to EV10AQ190 Application Note.

Figure 7-2. EV10AQ190A Power Supplies Bypassing Scheme

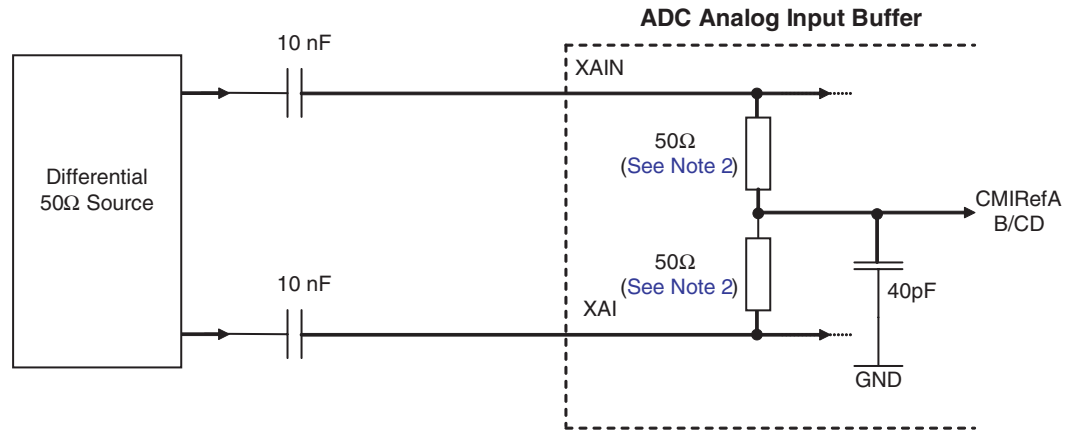


Each power supply has to be bypassed as close as possible to its source or access by 100 nF in parallel to 2.2 μF capacitor.

7.2 Differential Analog Inputs (V_{IN}/V_{INN})

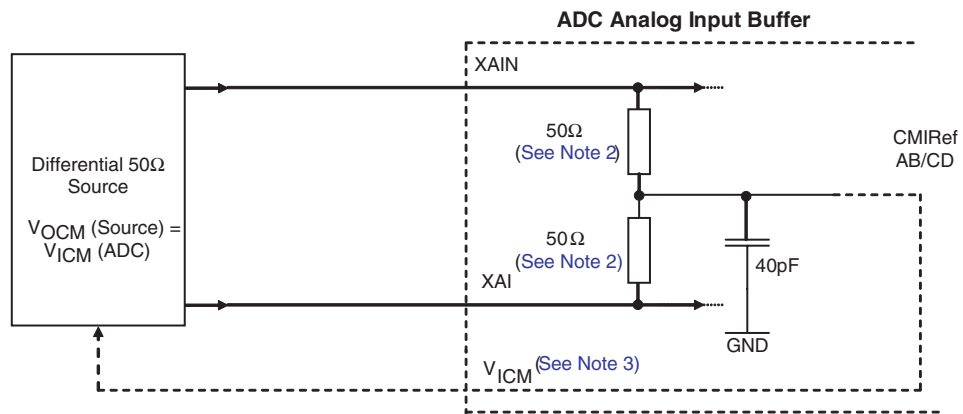
The analog input can be either DC or AC coupled as described in [Figures 7-3 and Figure 7-4](#).

Figure 7-3. Differential Analog Input Implementation (AC coupled)



- Notes:
1. X = A, B, C or D.
 2. The 50Ω terminations are on chip.
 3. CMIRefAB/CD = 1.6V.

Figure 7-4. Differential Analog Input Implementation (DC coupled)



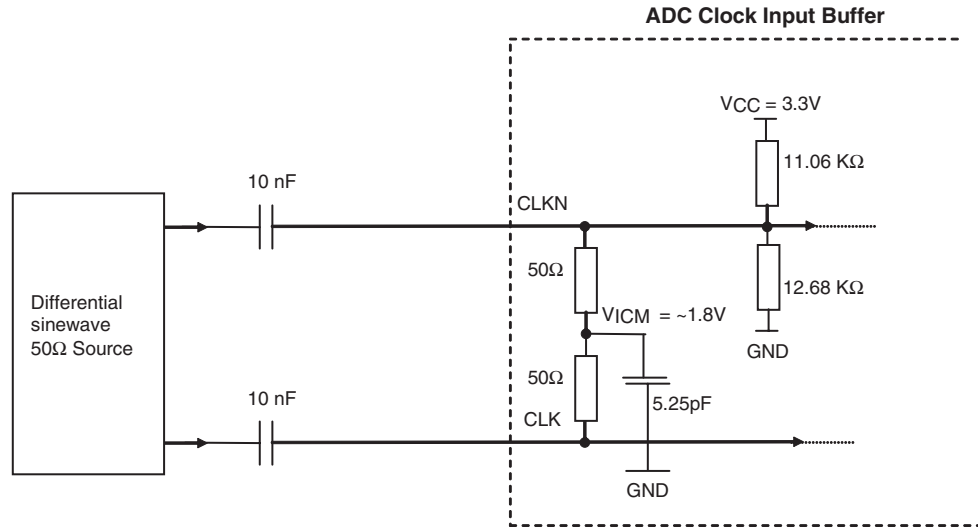
- Notes:
1. X = A, B, C or D
 2. The 50Ω terminations are implemented on-chip and can be fine tuned (TRIMMER register at address 0x13).
 3. CMIRefAB/CD = 1.6V. The Common mode is output on signal CMIRefAB for A and B channels and CMIRefCD for C and D channels.

If some analog inputs are not used, they can be left unconnected (open). Example: ADC in one channel mode with analog input signal on A channel, then analog inputs B, C and D can be left unconnected.

7.3 Clock Inputs (CLK/CLKN)

It is recommended to enter the clock input signal differential mode. Since the clock input common mode is around 1.8V, we recommend to AC couple the input clock as described in [Figure 7-5](#).

Figure 7-5. Differential Clock Input Implementation (AC coupled)

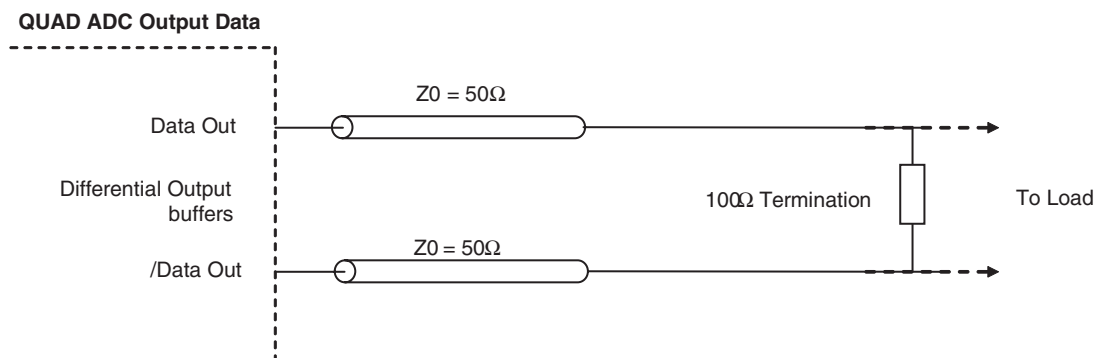


- Differential mode is the recommended input scheme.
- Single ended input is not recommended due to performance limitations.

7.4 Digital Outputs

The digital outputs are LVDS compatible. They have to be 100Ω differentially terminated.

Figure 7-6. Differential Digital Outputs Terminations (100Ω LVDS)

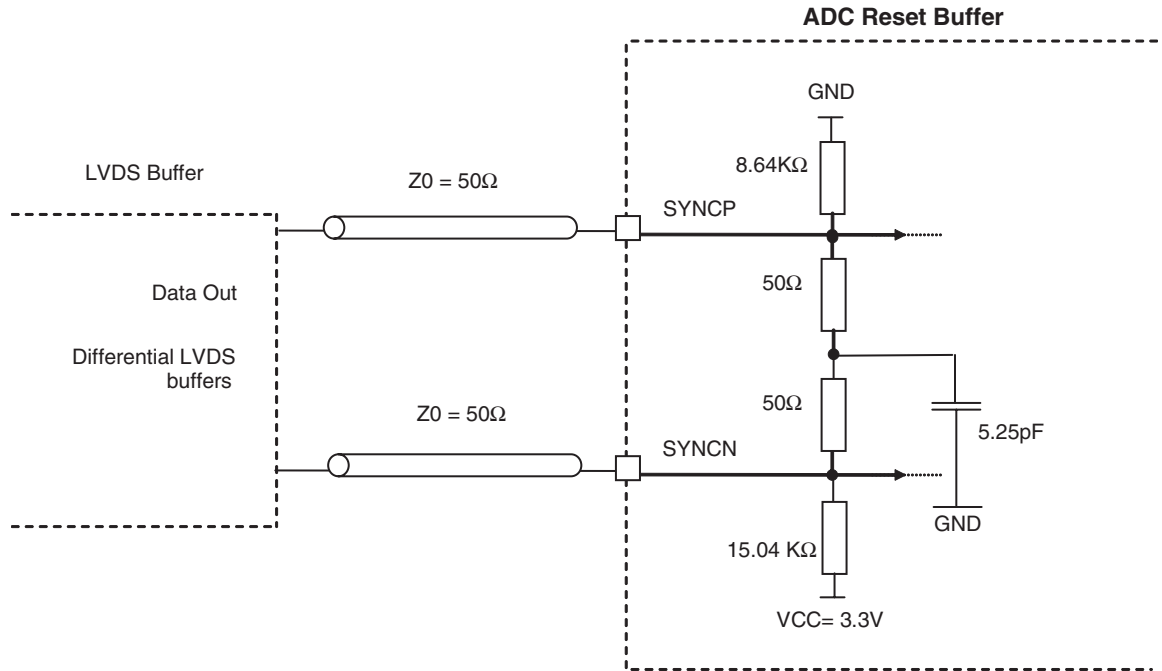


Note: If not used, leave the pins of the differential pair open.

7.5 Reset Buffer (SYNCP, SYNCN)

The SYNCP, SYNCN signal has LVDS electrical characteristics. It is active high and should last at least two clock cycles to work properly

Figure 7-7. Reset Buffer (SYNCP, SYNCN)



Note: If not used, leave the pins of the differential pair open.

7.6 Calibration Procedure

The Quad ADC EV10AQ190A is made up of four 10-bit ADC cores which can be considered independently (four-channel mode) or grouped by two cores (2-channel mode with the ADCs interleaved two by two or one-channel mode where all four ADCs are all interleaved).

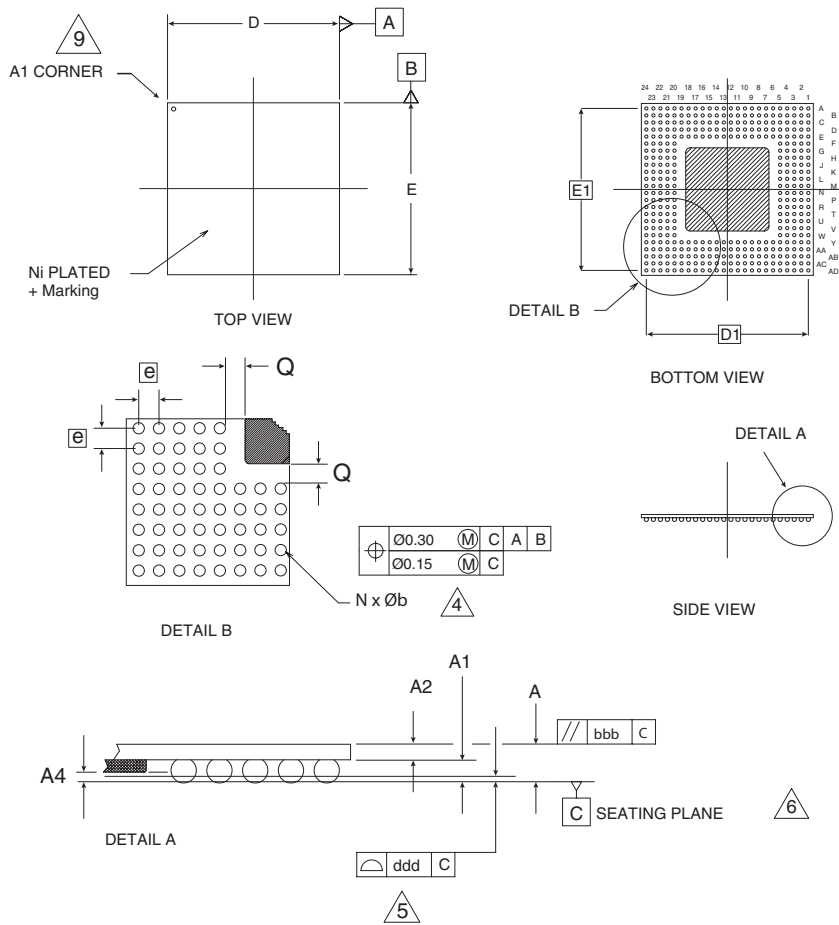
The Time-interleaved ADC System can exhibit imperfect artifacts (distortion) in the frequency domain if the individual ADC core characteristics are not well matched. Offset, Gain and Phase (delay) are of primary concern.

When interleaved the four internal ADCs of EV10AQ190A need to be calibrated with Offset, Gain and Phase matching. Therefore each ADC must have as close as possible the same Offset, Gain and Phase.

Applications Note “Calibration Methodology for EV10AQ190” describes this procedure in detail.

8. Package Information

Figure 8-1. Package Outline

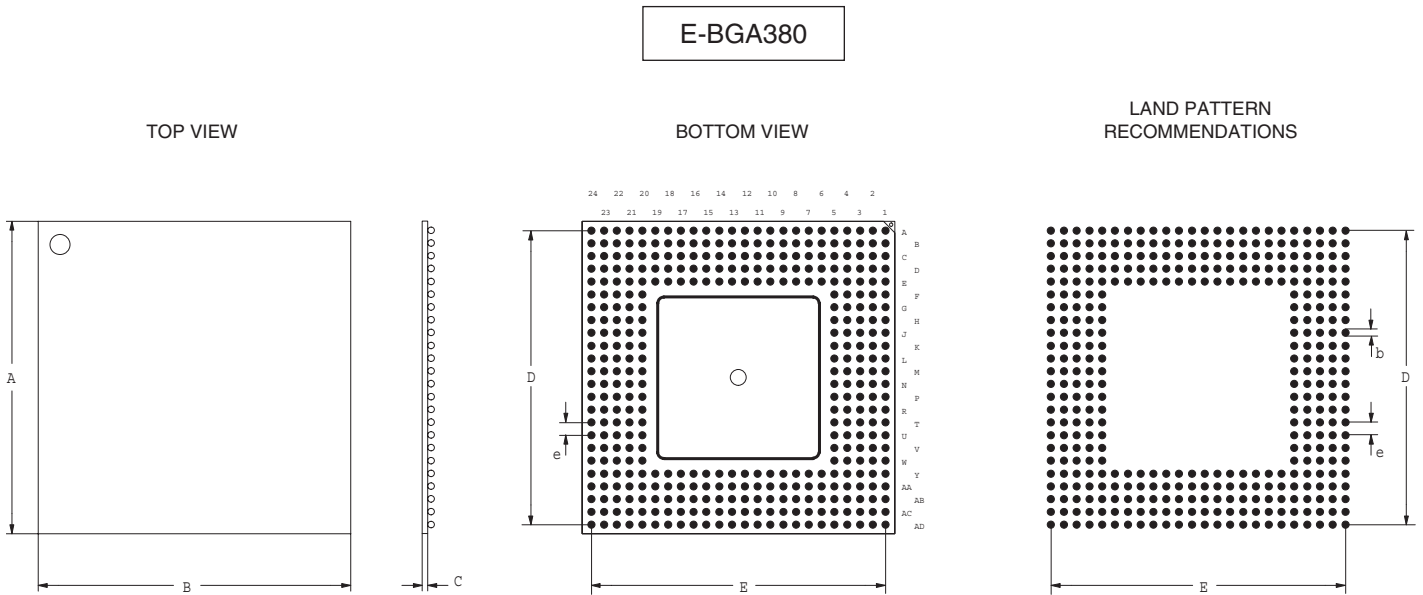


Notes:

- All dimensions are in millimeters.
- "e" represents the Basic Solder Ball Grid Pitch.
- "M" represents the Basic Solder Ball matrix size, and symbol "N" is the maximum allowable number of balls after depopulating.
- Dimension "b" is measured at the maximum solder ball diameter parallel to primary Datum C.
- Dimension "ddd" is measured parallel to primary Datum C.
- Primary Datum C and seating plane are defined by the spherical crowns of the solder balls.
- Package surface shall be Ni plated.
- Encapsulant Size may vary with die size.
- Small round depression for Pin 1 identification.
- "A4" is measured at the edge of encapsulant to the inner edge of ball pad.
- Dimensioning and tolerancing Per Asme Y14.5 1994
- This drawing is for qualification purpose only.

e2v

Figure 8-2. EBGA380 Land Pattern Recommendations



A	B	C	D	E	e	b
31.00	31.00	0.85	29.21	29.21	1.27	0.70

All dimensions are in millimeters

8.1 Thermal Characteristics

Assumptions:

- Still air
- Pure conduction
- No radiation

8.1.1 Thermal Characteristics

- Rth Junction -bottom of Balls = 6.68 °C/W
- Rth Junction - board = 7.38 °C/W
- Rth Junction -top of case = 4.3 °C/W
- Rth Junction - top of case with 50 µm thermal grease = 4.9° C/W
- Rth Junction - ambient (JEDEC standard, 49 x 49 mm² board size) = 16.3° C/W
- Rth Junction - ambient (180 x 170 mm² evaluation board size) = 12.8° C/W

8.2 Thermal Management Recommendations

In still air and 25°C ambient temperature conditions, the maximum temperature for the device soldered on the evaluation board is 84.5°C. For higher temperature extra cooling is necessary.

In the case of the need of an external thermal management, it is recommended to have an external heat-sink on top of the EBGA380 with a thermal resistance of 4°C/W maximum.

8.3 Moisture Characteristics

This device is sensitive to the moisture (MSL3 according to JEDEC standard).

Shelf life in sealed bag: 12 months at <40° C and <90% relative humidity (RH).

After this bag is opened, devices that will be subject to infrared reflow, vapor-phase reflow, or equivalent processing (peak package body temperature 220° C) must be:

- mounted within 168 hours at factory conditions of $\leq 30^{\circ}\text{C}/60\% \text{RH}$, or
- stored at $\leq 20\% \text{RH}$

Devices require baking, before mounting, if Humidity Indicator is >20% when read at $23^{\circ}\text{C} \pm 5^{\circ}\text{C}$.

If baking is required, devices may be baked for:

- 192 hours at $40^{\circ}\text{C} + 5^{\circ}\text{C}/-0^{\circ}\text{C}$ and < 5% RH for low temperature device containers, or
- 24 hours at $125^{\circ}\text{C} \pm 5^{\circ}\text{C}$ for high-temperature device containers.

9. Ordering Information

Table 9-1. Ordering Information

Part Number	Package	Temperature Range	Screening Level	Comments
EVX10AQ190ATPY	EBGA380 RoHS	Ambient	Prototype	
EV10AQ190ATPY-EB	EBGA380 RoHS	Ambient	Prototype	Evaluation board
EV10AQ190ACTPY	EBGA380 RoHS	Commercial $0^{\circ}\text{C} < T_C;$ $T_J < 90^{\circ}\text{C}$	Standard	Contact e2v Sales Office for availability
EV10AQ190AVTPY	EBGA380 RoHS	Industrial $-40^{\circ}\text{C} < T_C;$ $T_J < 110^{\circ}\text{C}$	Standard	Contact e2v Sales Office for availability
EV10AQ190AVTP	EBGA380	Industrial $-40^{\circ}\text{C} < T_C;$ $T_J < 110^{\circ}\text{C}$	Standard	Contact e2v Sales Office for availability

Table of Contents

	Main Features	1
	Performance	1
	Applications	2
1	Block Diagram	2
2	Description	3
3	Specifications	7
	3.1 Absolute Maximum Ratings	7
	3.2 Recommended Conditions of Use	8
	3.3 Electrical Characteristics for supplies, Inputs and Outputs	8
	3.4 Converter Characteristics	11
	3.5 Transient and Switching Characteristics	14
	3.6 Explanation of Test Levels	16
	3.7 Timing Diagrams	16
	3.8 Digital Output Coding	19
	3.9 Definition of Terms	19
4	Characterization Results	22
5	Pin Description	26
	5.1 Pinout View (Bottom View)	26
	5.2 Pinout Table	27
6	Functional Description	35
	6.1 Overview	35
	6.2 ADC Synchronization Signal (SYNCP, SYNCN)	36
	6.3 Digital Scan Mode (SCAN[2:0])	40
	6.4 Die Junction Temperature Monitoring Diode	40
	6.5 Res50 and Res62	41
	6.6 Quad ADC Digital Interface (SPI)	42

7	<i>Application Information</i>	61
7.1	Bypassing, Decoupling and Grounding	61
7.2	Differential Analog Inputs (VIN/VINN)	62
7.3	Clock Inputs (CLK/CLKN)	63
7.4	Digital Outputs	63
7.5	Reset Buffer (SYNCP, SYNCN)	64
7.6	Calibration Procedure	64
8	<i>Package Information</i>	65
8.1	Thermal Characteristics	66
8.2	Thermal Management Recommendations	67
8.3	Moisture Characteristics	67
9	<i>Ordering Information</i>	67
	<i>Table of Contents</i>	<i>i</i>



How to reach us

Home page: www.e2v.com

Sales offices:

Europe Regional sales office

e2v ltd

106 Waterhouse Lane
Chelmsford Essex CM1 2QU
England

Tel: +44 (0)1245 493493

Fax: +44 (0)1245 492492

mailto: enquiries@e2v.com

e2v sas

16 Burospace
F-91572 Bièvres Cedex
France

Tel: +33 (0) 16019 5500

Fax: +33 (0) 16019 5529

mailto: enquiries-fr@e2v.com

e2v gmbh

Industriestraße 29
82194 Gröbenzell
Germany

Tel: +49 (0) 8142 41057-0

Fax: +49 (0) 8142 284547

mailto: enquiries-de@e2v.com

Americas

e2v inc

520 White Plains Road
Suite 450 Tarrytown, NY 10591
USA

Tel: +1 (914) 592 6050 or 1-800-342-5338,

Fax: +1 (914) 592-5148

mailto: enquiries-na@e2v.com

Asia Pacific

e2v ltd

11/F.,
Onfem Tower,
29 Wyndham Street,
Central, Hong Kong

Tel: +852 3679 364 8/9

Fax: +852 3583 1084

mailto: enquiries-ap@e2v.com

Product Contact:

e2v

Avenue de Rochepleine
BP 123 - 38521 Saint-Egrève Cedex
France

Tel: +33 (0)4 76 58 30 00

Hotline:

mailto: hotline-bdc@e2v.com

IMPORTANT NOTICE

Whilst e2v has taken care to ensure the accuracy of the information contained herein it accepts no liability for the consequences any use thereof and also reserves the right to make corrections, modifications, enhancements, improvements, and other changes of its products without prior notice. Users of e2v products should obtain the latest relevant information before placing orders and should verify that such information is current and complete. e2v accepts no liability beyond that set out in its standard conditions of sale in respect of infringement of third party patents arising from the use of data converters or other devices in accordance with information contained herein.

